

Article datasheet

Spring Washer DIN137 A Ø2.2/4.5 x 0.3 Galvanized Steel

Article-No.: 003.22.001



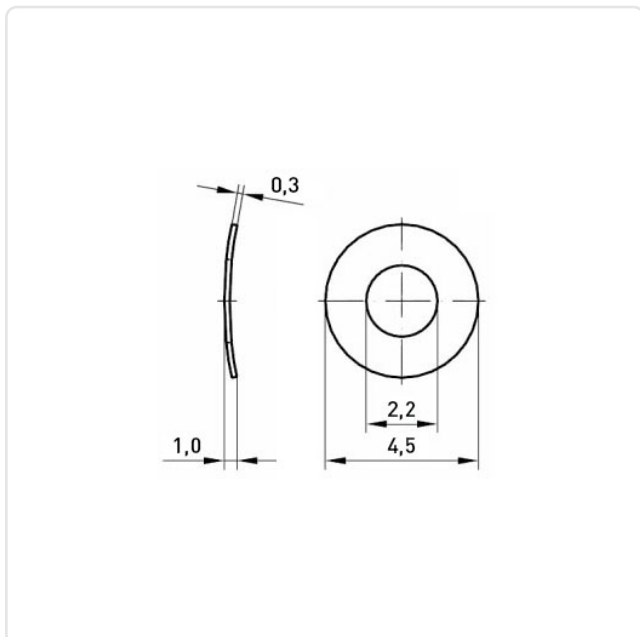
Image may be similar

DIN/ISO: DIN137A
 Finish: Galvanized, Blue, 5 µm, A2K
 For Thread Size: M2
 Height [mm]: 0.3
 Inner Diameter [mm]: 2.2
 Material: Spring Steel, lead-free
 Outer Diameter [mm]: 4.5
 Weight: 0.03g
 Conformities:



You can find all information on the web on our article detail page

[Spring Washer DIN137 A Ø2.2/4.5 x 0.3 Galvanized Steel](#)



Would you like individual advice?

We look forward to your email to products@ettinger.de.

Subject to change and errors.