

Article datasheet

## Square Nut - Metric D562 M3/5,5x1,8 Steel zinc plated

Article-No.: 002.11.032

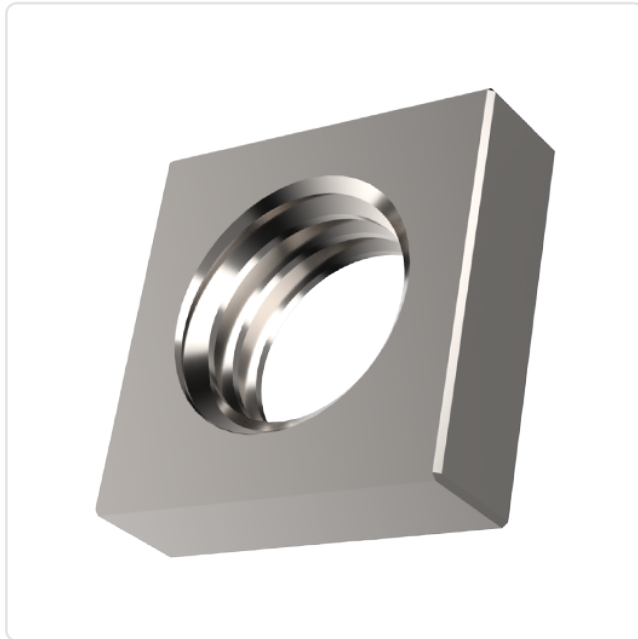
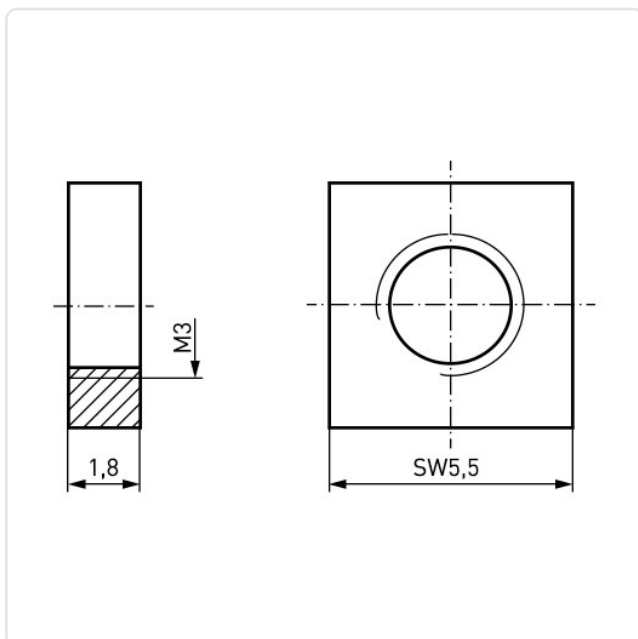


Image may be similar

AF / OD [mm]: 5.5  
 DIN/ISO: DIN562  
 Finish: Plain  
 Height [mm]: 1.8  
 Material: Stainless Steel AISI 304 / A2  
 Material Group: Stahl rostfrei  
 Thread Size: M3  
 Conformities:



You can find all information on the web on our article detail page  
[Square Nut - Metric D562 M3/5,5x1,8 Steel zinc plated](#)



Would you like individual advice?

We look forward to your email to [products@ettinger.de](mailto:products@ettinger.de).

Subject to change and errors.