

Article datasheet

Collar sleeve $\varnothing 1.5/2.3 \times 2.5/5.0$ mm Brass tinned 0.2mm thick

Article-No.: 013.15.535



Image may be similar

Diameter [mm]: 1.5
 Finish: Tin-Plated
 Length [mm]: 13
 Material: Messing
 PCB Hole \varnothing [mm]: 1.6
 Plug-In Length [mm]: 10.5
 Wall Thickness [mm]: 0.2
 Conformities:

Reach
NOT COMPLIANT



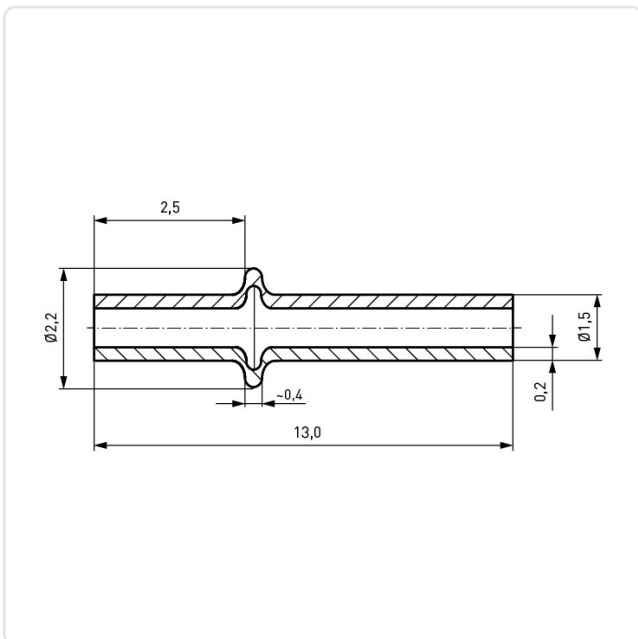
RoHS
NOT COMPLIANT



SVHC
NOT COMPLIANT



You can find all information on the web on our article detail page
[Collar sleeve \$\varnothing 1.5/2.3 \times 2.5/5.0\$ mm Brass tinned 0.2mm thick](#)



Would you like individual advice?

We look forward to your email to products@ettinger.de.

Subject to change and errors.