

Article datasheet

Slotted Round Nut M8x0.75 Nickel-Plated Brass

Article-No.: 062.08.009

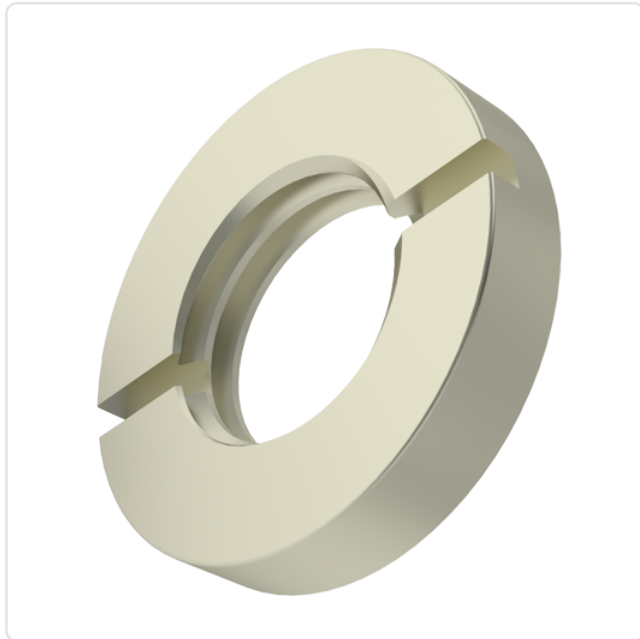
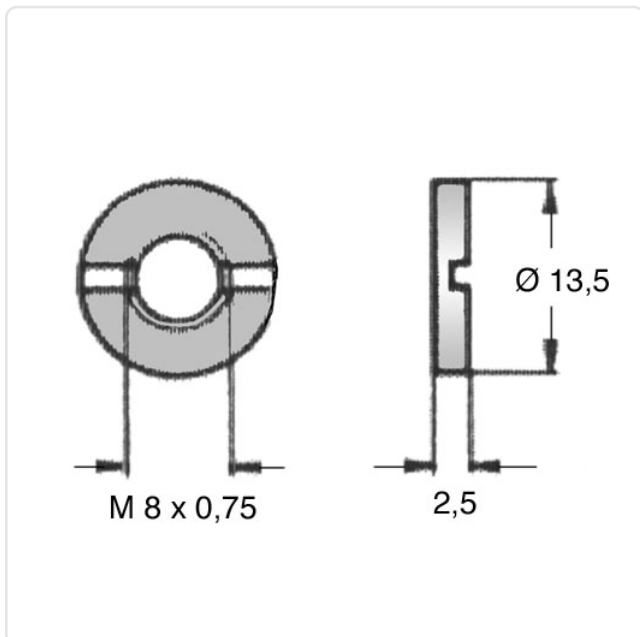


Image may be similar

AF / OD [mm]: 13.5
 Finish: Nickel-Plated, 3 µm, E1E
 Height [mm]: 2.5
 Material: Brass CW614N / CuZn39Pb3
 Material Group: Brass
 Thread Size: M8x0.75
 Weight: 1.92g
 Conformities:



You can find all information on the web on our article detail page
[Slotted Round Nut M8x0.75 Nickel-Plated Brass](#)



Would you like individual advice?

We look forward to your email to products@ettinger.de.

Subject to change and errors.