

Article datasheet

## Countersunk Screw DIN964 M4x16 Nickel-Plated Steel 4.8 Slotted

Article-No.: 001.11.462



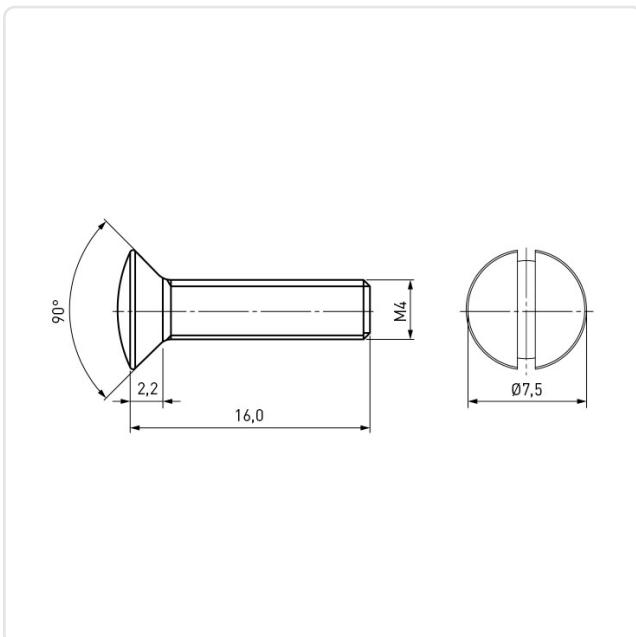
Image may be similar

|                     |                          |
|---------------------|--------------------------|
| DIN/ISO:            | DIN964                   |
| Drive Type:         | Slotted                  |
| Finish:             | Nickel-Plated, 3 µm, E1E |
| Head Diameter [mm]: | 7.5                      |
| Head Height [mm]:   | 2.2                      |
| Head Shape:         | Countersunk Head         |
| Length [mm]:        | 16                       |
| Material:           | Steel 4.8, lead-free     |
| Material Group:     | Steel                    |
| Thread Size:        | M4                       |
| Weight:             | 1.54g                    |
| Conformities:       |                          |



You can find all information on the web on our article detail page

[Countersunk Screw DIN964 M4x16 Nickel-Plated Steel 4.8 Slotted](#)



Would you like individual advice?

We look forward to your email to [products@ettinger.de](mailto:products@ettinger.de).

Subject to change and errors.