

Article datasheet

Toothed Lock Washer DIN6797 A Ø6.4/11.0 x 0.7 Nickel-Plated Spring Ste

Article-No.: 003.41.063



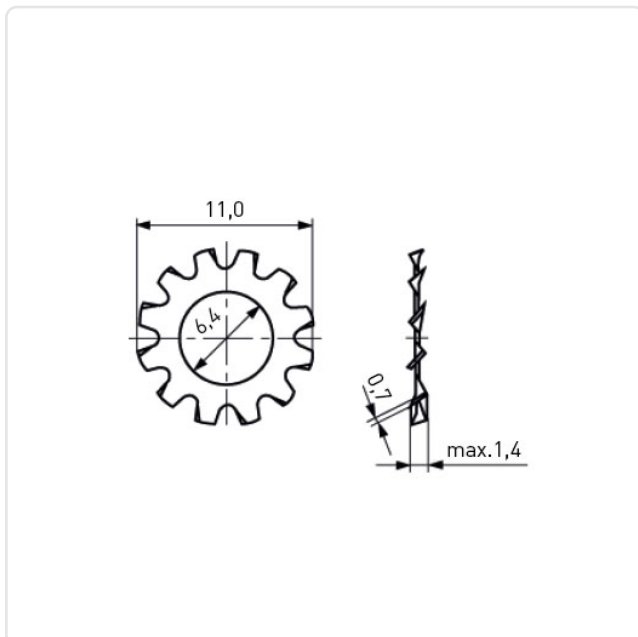
Image may be similar

DIN/ISO:	DIN6797A
Finish:	Nickel-Plated, 3 µm, E1E
For Thread Size:	M6
Height [mm]:	0.7
Inner Diameter [mm]:	6.4
Material:	Spring Steel
Material Group:	Steel
Outer Diameter [mm]:	11
Weight:	0.22g
Conformities:	<div style="display: flex; align-items: center; gap: 10px;"> <div style="border: 1px solid black; padding: 2px; text-align: center;">Reach COMPLIANT ✓</div> <div style="border: 1px solid black; padding: 2px; text-align: center;">RoHS COMPLIANT ✓</div> <div style="border: 1px solid black; padding: 2px; text-align: center;">SVHC NOT COMPLIANT ✗</div> </div>



You can find all information on the web on our article detail page

[Toothed Lock Washer DIN6797 A Ø6.4/11.0 x 0.7 Nickel-Plated Spring Ste](#)



Would you like individual advice?

We look forward to your email to products@ettinger.de.

Subject to change and errors.