

Article datasheet

Strain Relief Bushing for Round Cables

Article-No.: 014.04.169

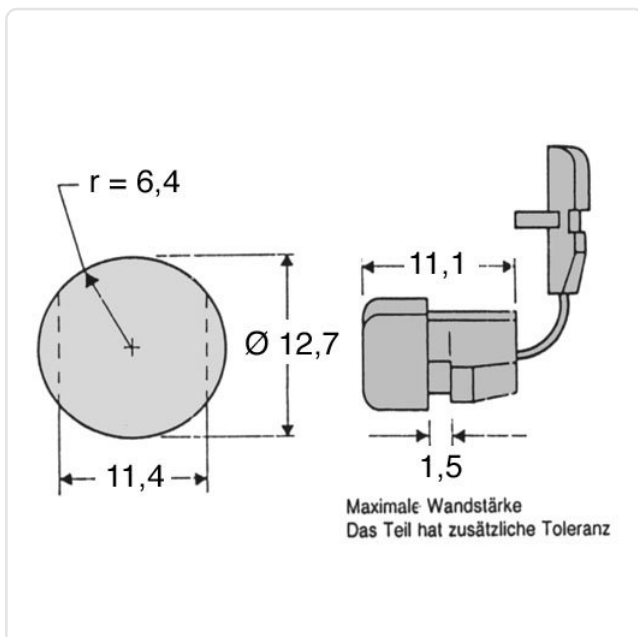


Image may be similar

Color:	White
Material:	PA 6.6
Material Group:	Plastic
Max. Panel Thickness [mm]:	1.6
Mounting Hole [mm]:	12.7
Panel Thickness Range [mm]:	6,4-7,4 mm
Weight:	1.02g
Conformities:	



You can find all information on the web on our article detail page
[Strain Relief Bushing for Round Cables](#)



Would you like individual advice?

We look forward to your email to products@ettinger.de.

Subject to change and errors.