

Article datasheet

## SMD Test Point 3.8x2.0 Phosphor Bronze Silver-Plated | 800 pcs On Reel

Article-No.: 012.18.865

Manufacturer: Keystone Electronics

Manufacturer article-no.: 5027



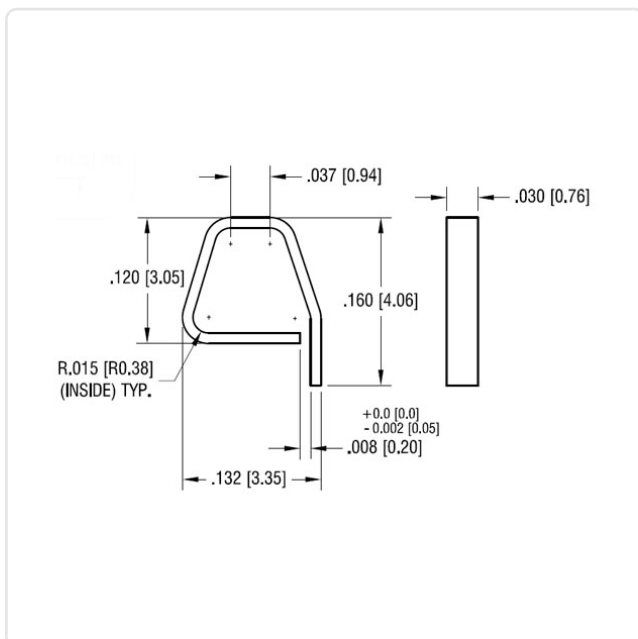
Image may be similar

Finish: Silver-Plated  
 Height [mm]: 3.1  
 Length [mm]: 3.8  
 Material: Phosphor Bronze  
 Material Group: Phosphor Bronze  
 Width [mm]: 2  
 Weight: 100g  
 Conformities:



You can find all information on the web on our article detail page

[SMD Test Point 3.8x2.0 Phosphor Bronze Silver-Plated | 800 pcs On Reel](#)



Would you like individual advice?

We look forward to your email to [products@ettinger.de](mailto:products@ettinger.de).

Subject to change and errors.