

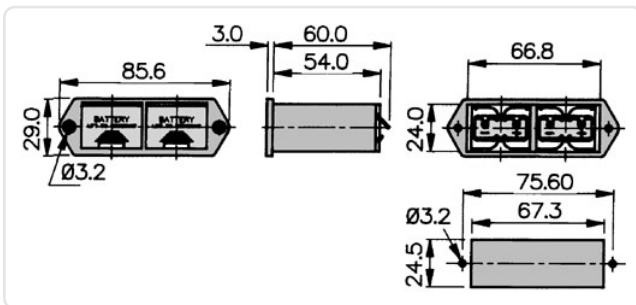
Article datasheet

Battery Holder 2x 9V cells Drawer Function - Panel Mounting

Article-No.: 015.92.712



Image may be similar



Battery Type: 9V-Block
 Material: PA 6.6 25% GF
 Model: Drawer
 No. Cells: 2
 Weight: 52.2g
 Conformities:



You can find all information on the web on our article detail page

[Battery Holder 2x 9V cells Drawer Function - Panel Mounting](#)

Would you like individual advice?

We look forward to your email to products@ettinger.de.

Subject to change and errors.