

Article datasheet

Fuse Holder for 5x20mm fuse Captive Drawer/4.8x0.5mm terminals

Article-No.: 015.08.584



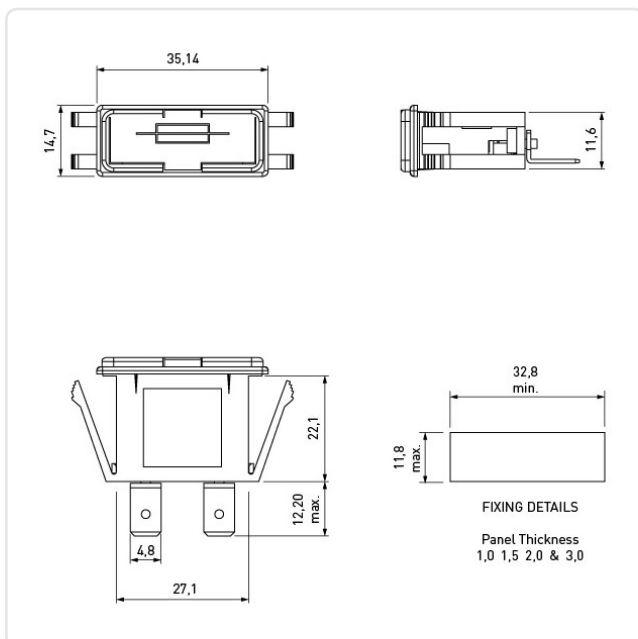
Image may be similar

Amperage [A]: 10
 Fuse Size [mm]: 5.0x20.0
 Material: Plastic
 Material Group: Plastic
 Model: Fuse Holder
 Weight: 9.3g
 Conformities:



You can find all information on the web on our article detail page

[Fuse Holder for 5x20mm fuse Captive Drawer/4.8x0.5mm terminals](#)



Would you like individual advice?

We look forward to your email to products@ettinger.de.

Subject to change and errors.