

Article datasheet

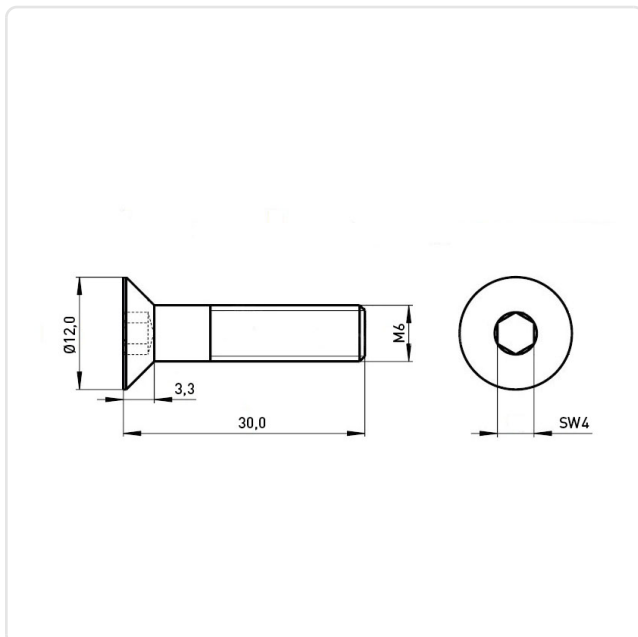
## Countersunk Screw ISO10642 M6x30 A4 Plain Stainless Steel Hexagon Socket

Article-No.: 001.19.699



Image may be similar

Actuator Size:	Hexagon Socket Hex4
DIN/ISO:	ISO10642
Drive Type:	Hexagon Socket
Finish:	Plain
Head Diameter [mm]:	13.44
Head Height [mm]:	3.72
Head Shape:	Countersunk Head
Length [mm]:	30
Material:	Stainless Steel AISI 316 / A4
Material Group:	Stahl rostfrei
Thread Size:	M6
Weight:	6.25g
Conformities:	



You can find all information on the web on our article detail page

[Countersunk Screw ISO10642 M6x30 A4 Plain Stainless Steel Hexagon Socket](#)

Would you like individual advice?

We look forward to your email to [products@ettinger.de](mailto:products@ettinger.de).

Subject to change and errors.