

Article datasheet

Wing Screw M3x10 Polyamide 6.6 natural

Article-No.: 001.50.310



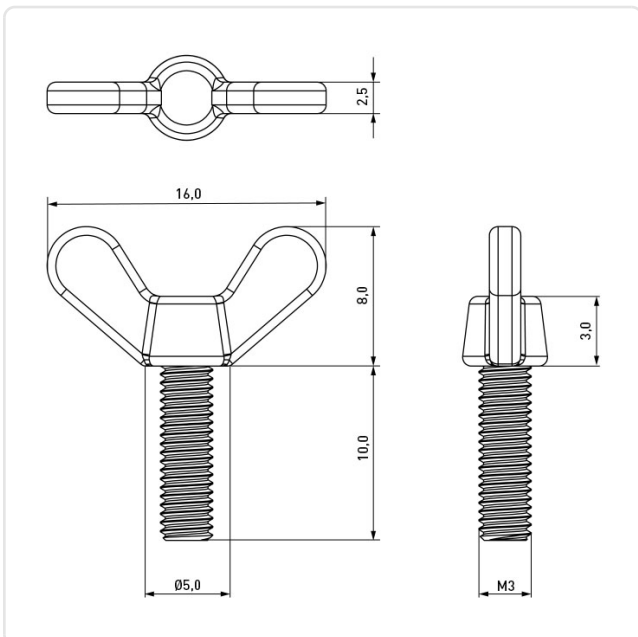
Image may be similar

Color: Natural
 Flammability Class: UL94-V2
 Head Diameter [mm]: 16
 Head Height [mm]: 8
 Length [mm]: 10
 Material: PA 6.6
 Material Group: Plastic
 Thread Size: M3
 Weight: 0.26g
 Conformities:



You can find all information on the web on our article detail page

[Wing Screw M3x10 Polyamide 6.6 natural](#)



Would you like individual advice?

We look forward to your email to products@ettinger.de.

Subject to change and errors.