

Article datasheet

**Flat Washer DIN9021/ISO7093 Ø4.3/12.0 x 1.0 Galvanized Steel**

Article-No.: 003.06.641

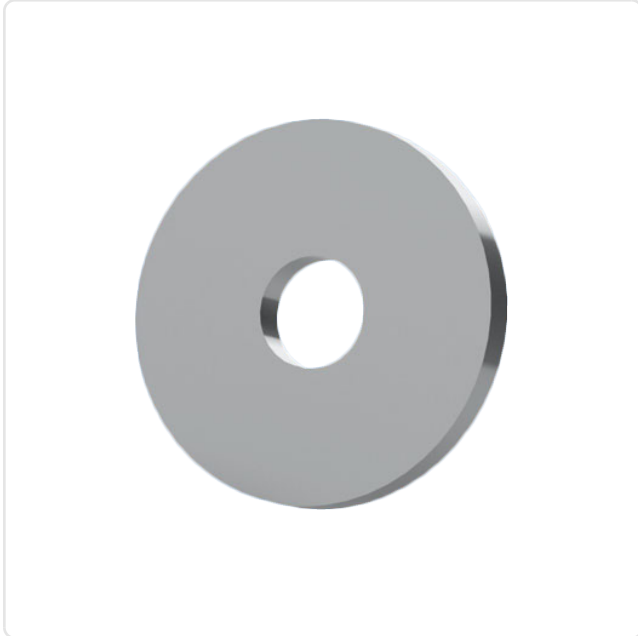
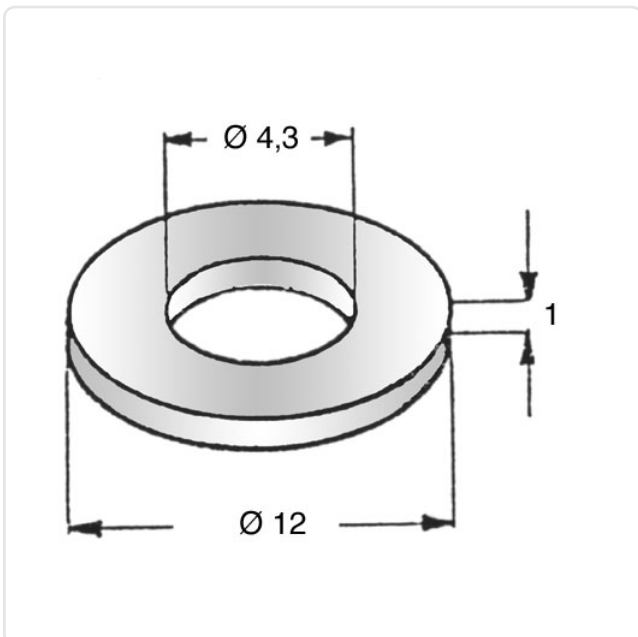


Image may be similar



DIN/ISO:	ISO7093
Finish:	Galvanized, Blue, 5 µm, A2K
For Thread Size:	M4
Height [mm]:	1
Inner Diameter [mm]:	4.3
Material:	Steel
Material Group:	Stahl
Outer Diameter [mm]:	12
Weight:	0.72g
Conformities:	



You can find all information on the web on our article detail page

[Flat Washer DIN9021/ISO7093 Ø4.3/12.0 x 1.0 Galvanized Steel](#)

Would you like individual advice?

We look forward to your email to [products@ettinger.de](mailto:products@ettinger.de).

Subject to change and errors.