

Article datasheet

Countersunk Screw ISO7047 M6x12 Galvanized Steel 4.8 Cross Recessed

Article-No.: 001.12.655

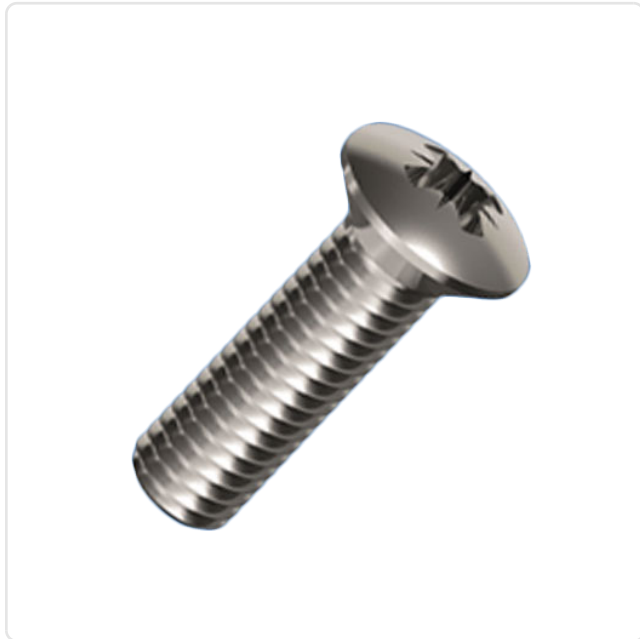
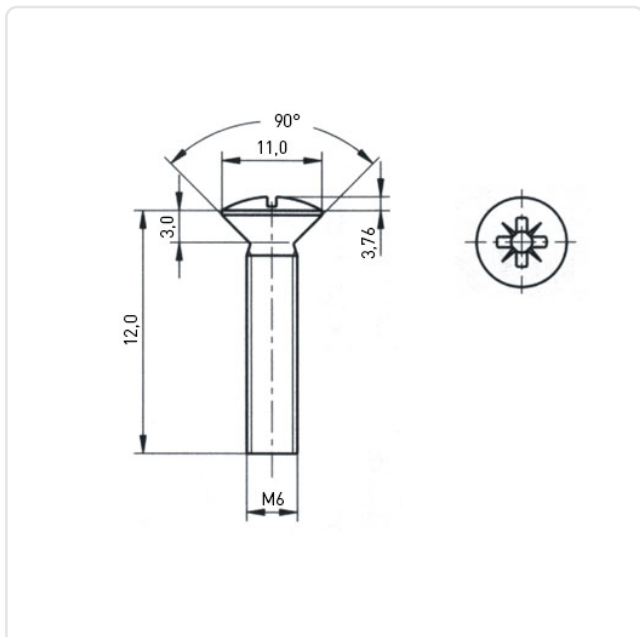


Image may be similar

Actuator Size:	Pozidriv PZ3
DIN/ISO:	ISO7047
Drive Type:	Cross Recess / Pozidriv-Z
Finish:	Galvanized, Blue, 5 µm, A2K
Head Diameter [mm]:	11
Head Height [mm]:	3
Head Shape:	Countersunk Head
Length [mm]:	12
Material:	Steel 4.8
Material Group:	Stahl
Thread Size:	M6
Weight:	1.99g
Conformities:	



You can find all information on the web on our article detail page

[Countersunk Screw ISO7047 M6x12 Galvanized Steel 4.8 Cross Recessed](#)

Would you like individual advice?

We look forward to your email to products@ettinger.de.

Subject to change and errors.