

Article datasheet

Soldering Strip 6-pole | M3 Ceramic C221 | Tinned Bronze

Article-No.: 013.82.806



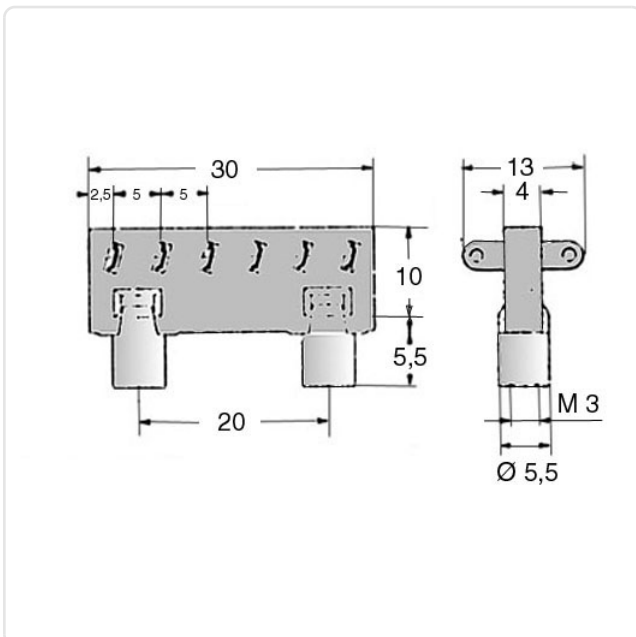
Image may be similar

Distance Middle/Middle [mm]:	20
Finish:	Tin-Plated
Insulation:	Ceramic
Length [mm]:	30
Material:	Bronze
Material Group:	Bronze
Thread Length [mm]:	5.5
Thread Size:	M3
Weight:	6g
Conformities:	<div style="display: flex; gap: 10px;"> <div style="border: 1px solid green; padding: 2px; font-size: 8px;">SVHC COMPLIANT</div> <div style="border: 1px solid green; padding: 2px; font-size: 8px;">Reach COMPLIANT</div> <div style="border: 1px solid green; padding: 2px; font-size: 8px;">RoHS COMPLIANT</div> </div>



You can find all information on the web on our article detail page

[Soldering Strip 6-pole | M3 Ceramic C221 | Tinned Bronze](#)



Would you like individual advice?

We look forward to your email to products@ettinger.de.

Subject to change and errors.