

Article datasheet

## Round Spacer $\varnothing 0.8/3.2 \times 0.7$ Polyamide 6 white

Article-No.: 073.17.030

Manufacturer: BIVAR

Manufacturer article-no.: 902-030

**BIVAR**



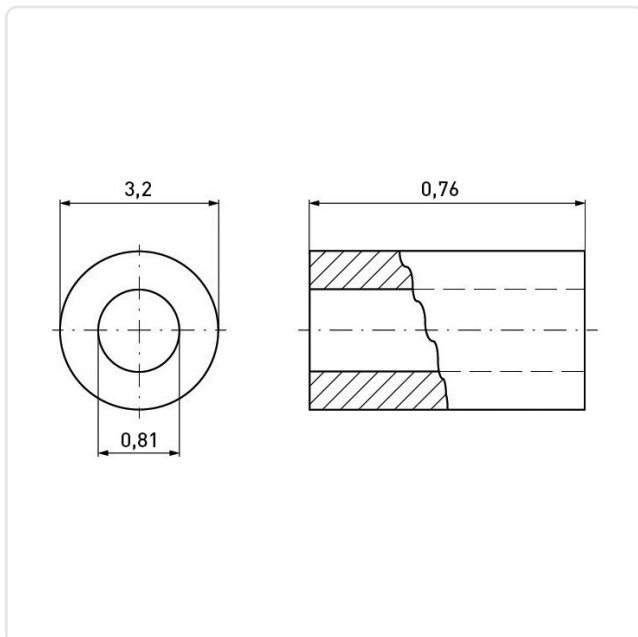
Image may be similar

Color: White  
 Flammability Class: UL94-V2  
 Inner Diameter [mm]: 0.81  
 Length [mm]: 0.7  
 Material: PA 6.0  
 Material Group: Plastic  
 Outer Diameter [mm]: 3.2  
 Weight: 0.03g  
 Conformities:



You can find all information on the web on our article detail page

[Round Spacer  \$\varnothing 0.8/3.2 \times 0.7\$  Polyamide 6 white](#)



Would you like individual advice?

We look forward to your email to [products@ettinger.de](mailto:products@ettinger.de).

Subject to change and errors.