

Article datasheet

Thread Rail Metric M2,5 4,9x2 Steel zinc plated

Article-No.: 002.32.584



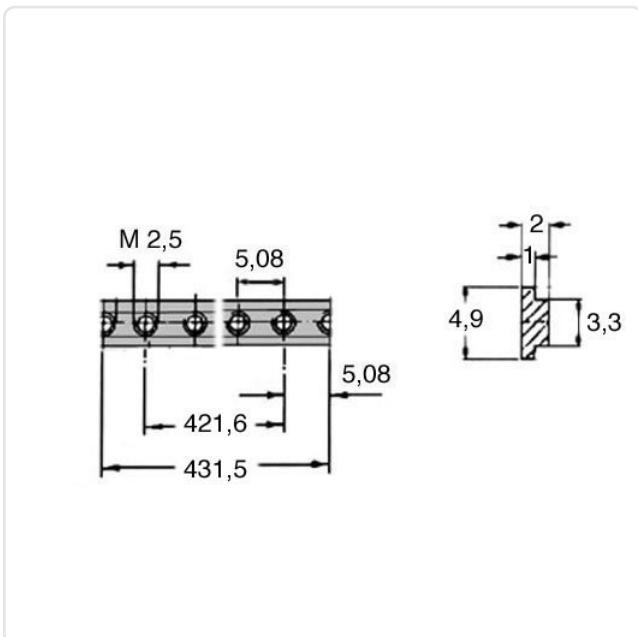
Image may be similar

Design:	5.08
Finish:	Galvanized, 15–25 µm
Height [mm]:	2
Length [mm]:	431.5
Material:	Steel lead-free
Material Group:	Steel
Thread 1 / Hole 1:	M2.5
Width [mm]:	5
hole distance / TE [mm]:	84
Weight:	21.61g
Conformities:	



You can find all information on the web on our article detail page

[Thread Rail Metric M2,5 4,9x2 Steel zinc plated](#)



Would you like individual advice?

We look forward to your email to products@ettinger.de.

Subject to change and errors.