

Article datasheet

**Solder Terminal Pin 1.9x7.1mm Bronze tinned 0.5mm thick**

Article-No.: 013.13.305



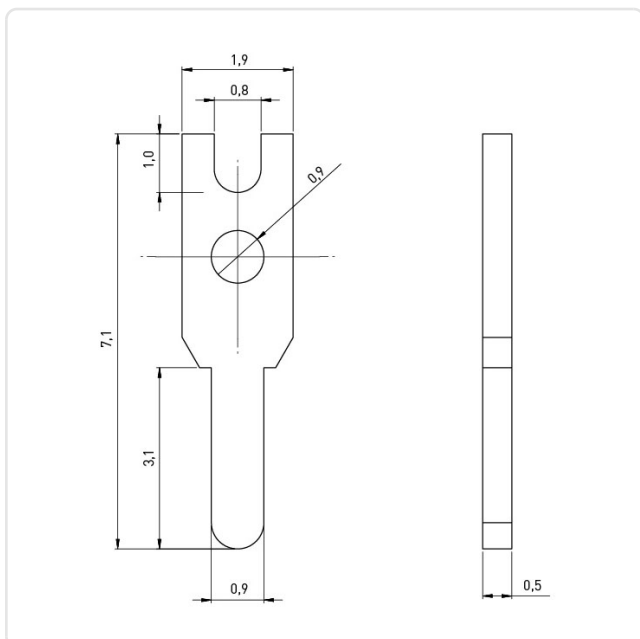
Image may be similar

Finish: Tin-Plated  
Length [mm]: 7.1  
Material: Bronze lead-free  
PCB Hole Ø [mm]: 0.9  
Thickness [mm]: 0.5  
Width [mm]: 1.9  
Conformities:



You can find all information on the web on our article detail page

[Solder Terminal Pin 1.9x7.1mm Bronze tinned 0.5mm thick](#)



Would you like individual advice?

We look forward to your email to [products@ettinger.de](mailto:products@ettinger.de).

Subject to change and errors.