

Article datasheet

Cheese Head Screw ISO1207 M3.5x10 Galvanized Steel 4.8 Slotted

Article-No.: 001.14.041



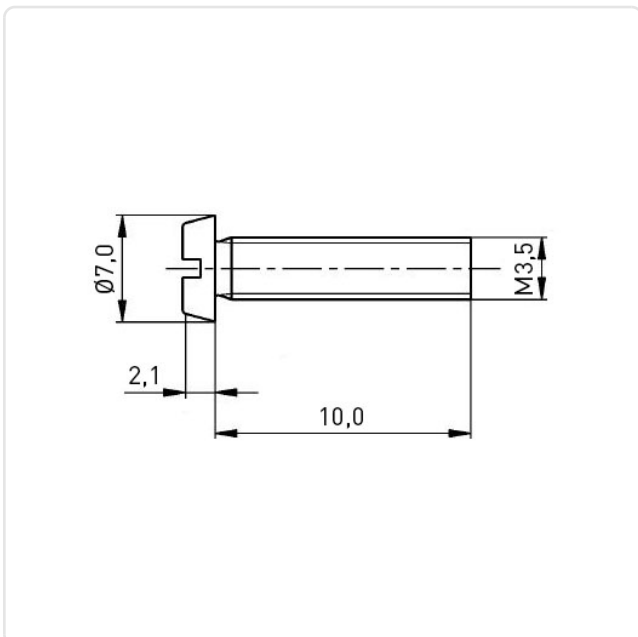
Image may be similar

DIN/ISO:	ISO1207
Drive Type:	Slotted
Finish:	Galvanized, Blue, 5 µm, A2K
Head Diameter [mm]:	6
Head Height [mm]:	2.4
Head Shape:	Cheese Head
Length [mm]:	10
Material:	Steel 4.8
Material Group:	NULL
Thread Size:	M3.5
Weight:	0.99g
Conformities:	



You can find all information on the web on our article detail page

[Cheese Head Screw ISO1207 M3.5x10 Galvanized Steel 4.8 Slotted](#)



Would you like individual advice?

We look forward to your email to products@ettinger.de.

Subject to change and errors.