

Article datasheet

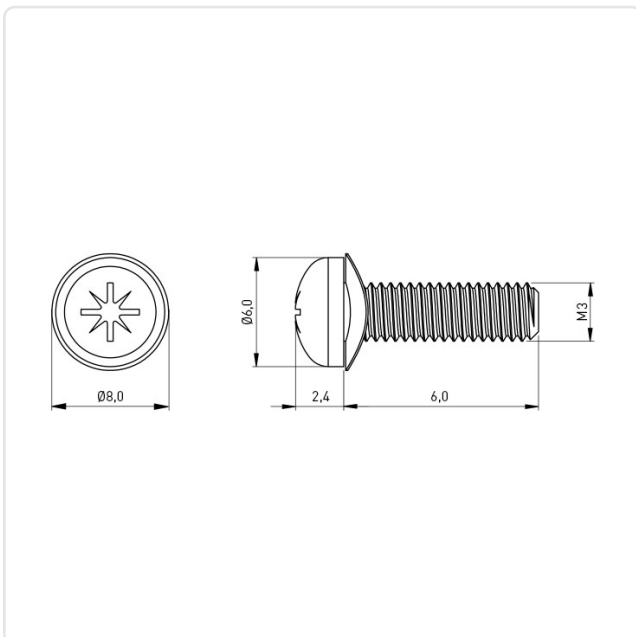
SEMS Screw ISO7045 PZ Z3 M3x6 A2 Plain ST STL Spring Washer

Article-No.: 081.88.321



Image may be similar

Actuator Size:	Pozidriv PZ1
Combination:	Spring Washer DIN6904
DIN/ISO:	ISO7045
Drive Type:	Cross Recess / Pozidriv-Z
Finish:	Plain
Head Diameter [mm]:	6
Head Height [mm]:	2.4
Head Shape:	Pan Head
Length [mm]:	6
Material:	Stainless Steel AISI 304 / A2
Material Group:	Stainless Steel
Thread Size:	M3
Weight:	0.77g
Conformities:	



You can find all information on the web on our article detail page
[SEMS Screw ISO7045 PZ Z3 M3x6 A2 Plain ST STL Spring Washer](#)

Would you like individual advice?

We look forward to your email to products@ettinger.de.

Subject to change and errors.