

Article datasheet

**Interlocking Hose Clamp Ø22.2-25.4 Polyamide 6.6 black**

Article-No.: 014.43.250

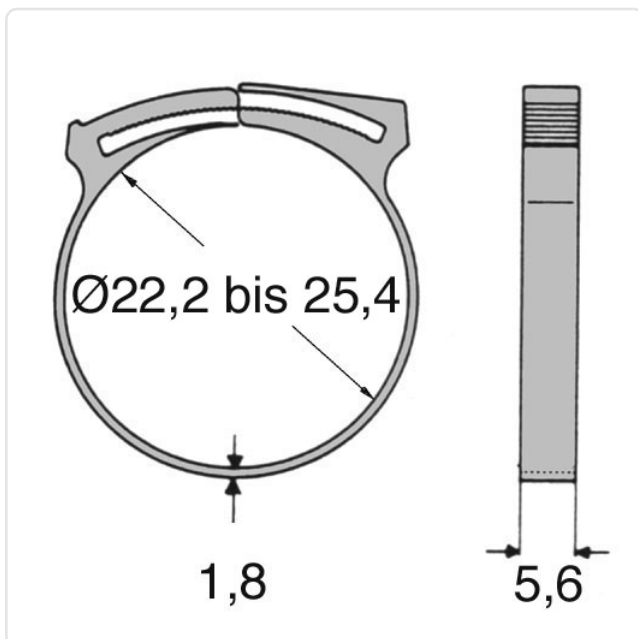


Image may be similar

Color:	Black
Flammability Class:	UL94-V2
Material:	PA 6.6
Panel Thickness Range [mm]:	22,2-25,4
Thickness [mm]:	1.8
Width [mm]:	5.6
Weight:	2.4g
Conformities:	



You can find all information on the web on our article detail page  
[Interlocking Hose Clamp Ø22.2-25.4 Polyamide 6.6 black](#)



Would you like individual advice?

We look forward to your email to [products@ettinger.de](mailto:products@ettinger.de).

Subject to change and errors.