

Article datasheet

Button Head Screw ISO7380-1 M3x10 Stainless Steel A2 Hexagon

Article-No.: 001.54.342

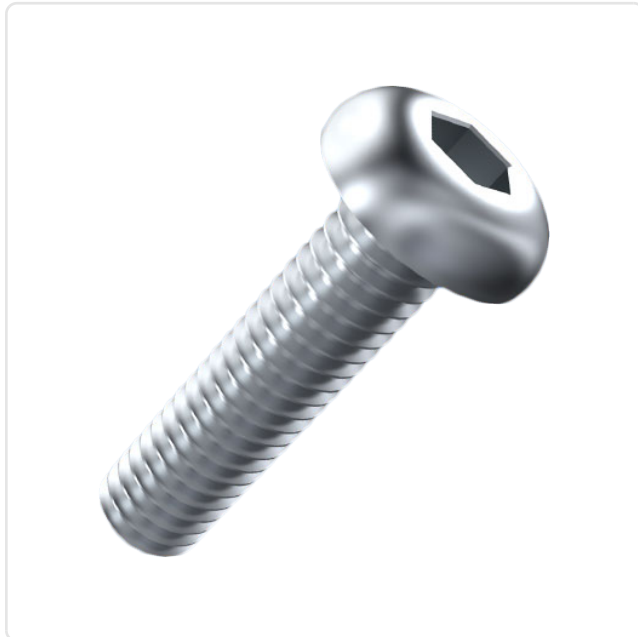
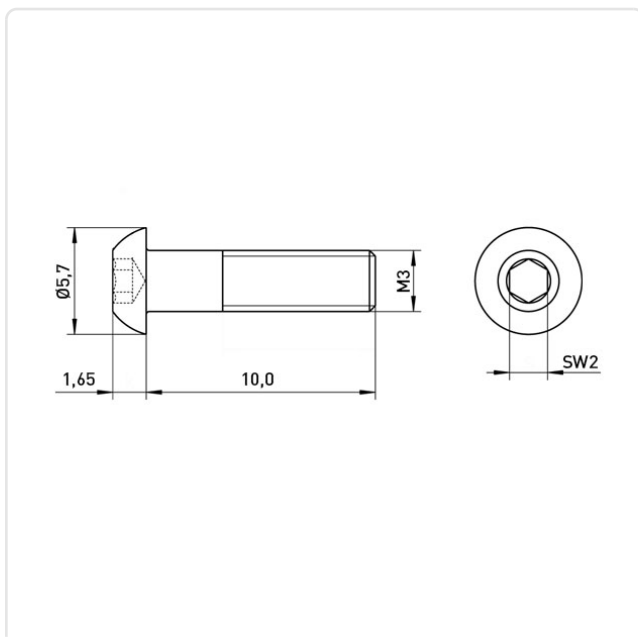


Image may be similar

Actuator Size:	Hexagon Socket Hex2
DIN/ISO:	ISO7380-1
Drive Type:	Hexagon Socket
Finish:	Plain
Head Diameter [mm]:	5.7
Head Height [mm]:	1.65
Head Shape:	Button Head
Length [mm]:	10
Material:	Stainless Steel AISI 304 / A2
Material Group:	Stahl rostfrei
Thread Size:	M3
Weight:	0.61g
Conformities:	



You can find all information on the web on our article detail page

[Button Head Screw ISO7380-1 M3x10
Stainless Steel A2 Hexagon](#)

Would you like individual advice?

We look forward to your email to products@ettinger.de.

Subject to change and errors.