

Article datasheet

Hole Grommet 7.5/12.0-6.0mm Polychloropren (Neopren) black

Article-No.: 014.70.600

Manufacturer: SES-Sterling

Manufacturer article-no.: 0252 0026 010



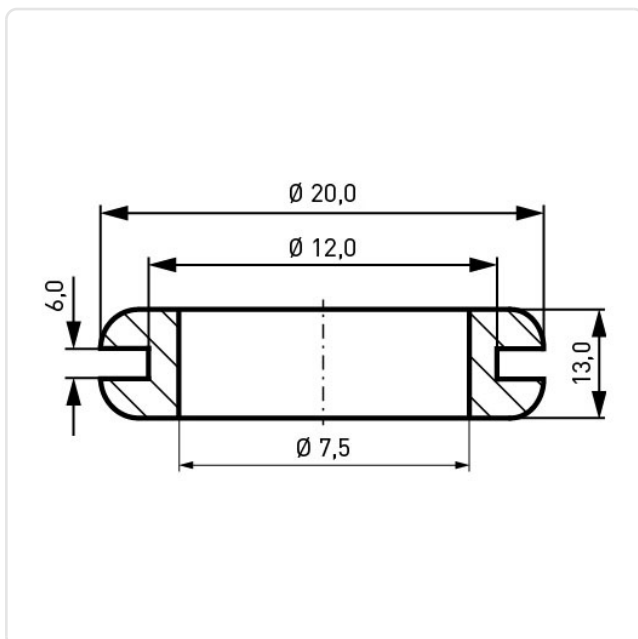
Image may be similar

Color: Black
 Inner Diameter [mm]: 7.5
 Material: CR - Polychloroprene
 Material Group: Plastic
 Max. Panel Thickness [mm]: 6
 Mounting Hole [mm]: 12
 Weight: 1.35g
 Conformities:



You can find all information on the web on our article detail page

[Hole Grommet 7.5/12.0-6.0mm Polychloropren \(Neopren\) black](#)



Would you like individual advice?

We look forward to your email to products@ettinger.de.

Subject to change and errors.