

Article datasheet

Conical Spring Washer DIN6796/ISO10670 Ø6.4/14.0 x 1.5 Phosphated Spring Steel

Article-No.: 003.24.861

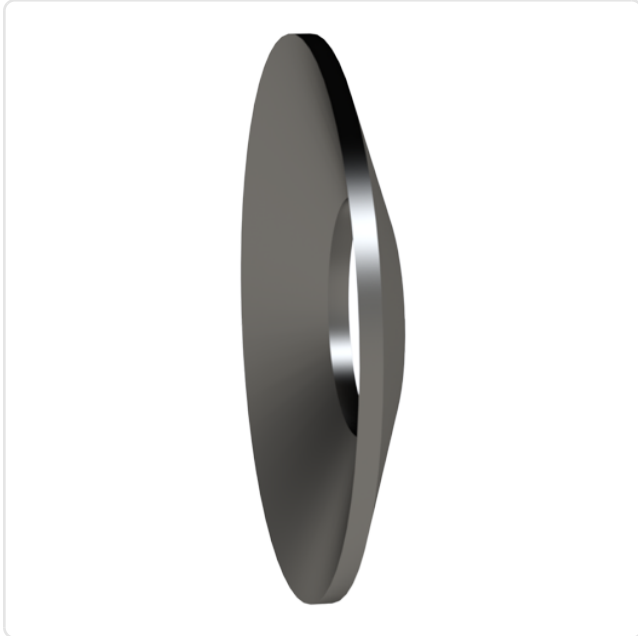


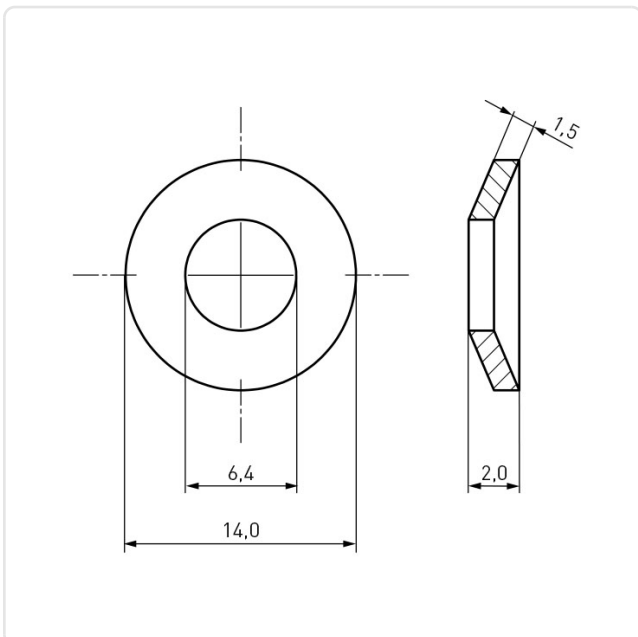
Image may be similar

DIN/ISO: DIN6796 / ISO10670
Finish: Phosphated
For Thread Size: M6
Height [mm]: 1.5
Inner Diameter [mm]: 6.4
Material: Spring Steel
Material Group: Steel
Outer Diameter [mm]: 14
Weight: 1.3g
Conformities:



You can find all information on the web on our article detail page

[Conical Spring Washer DIN6796/ISO10670 Ø6.4/14.0 x 1.5 Phosphated Spring Steel](#)



Would you like individual advice?

We look forward to your email to products@ettinger.de.

Subject to change and errors.