

Article datasheet

Hole Grommet 5.0/8.0-2.0mm PVC black

Article-No.: 014.60.363

Manufacturer: SES-Sterling

Manufacturer article-no.: 0107 0012 010

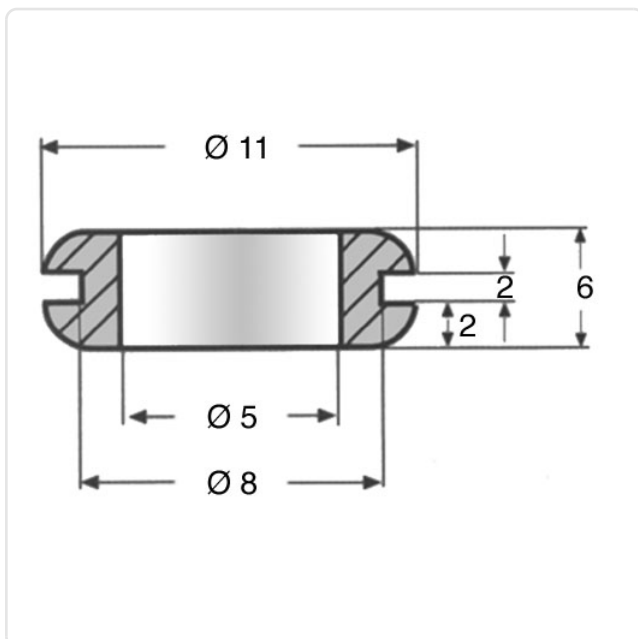


Image may be similar

Color: Black
 Inner Diameter [mm]: 5
 Material: PVC - Polyvinyl Chloride
 Material Group: Kunststoff
 Max. Panel Thickness [mm]: 2
 Mounting Hole [mm]: 8
 Weight: 0.44g
 Conformities:



You can find all information on the web on our article detail page
[Hole Grommet 5.0/8.0-2.0mm PVC black](#)



Would you like individual advice?

We look forward to your email to products@ettinger.de.

Subject to change and errors.