

Article datasheet

Locking and Sealing Washer $\text{\O}2.6/6.0 \times 2.2$ Polyamide 45449 natural

Article-No.: 003.07.226

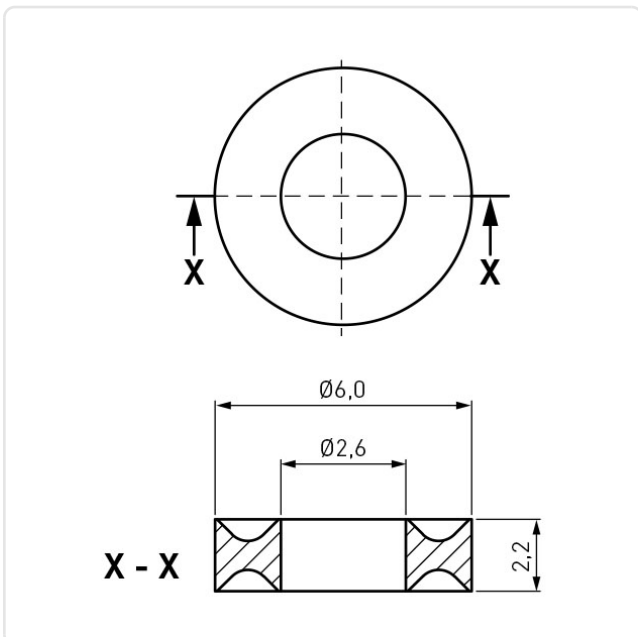


Image may be similar

For Thread Size: M2.5
Height [mm]: 2.2
Inner Diameter [mm]: 2.6
Material: PA 6.6
Material Group: Plastic
Outer Diameter [mm]: 6
Weight: 0.04g
Conformities:



You can find all information on the web on our article detail page
[Locking and Sealing Washer \$\text{\O}2.6/6.0 \times 2.2\$ Polyamide 45449 natural](#)



Would you like individual advice?

We look forward to your email to products@ettinger.de.

Subject to change and errors.