

Article datasheet

Panel Housing DIN IEC 61554 96x96

Article-No.: 048.17.305



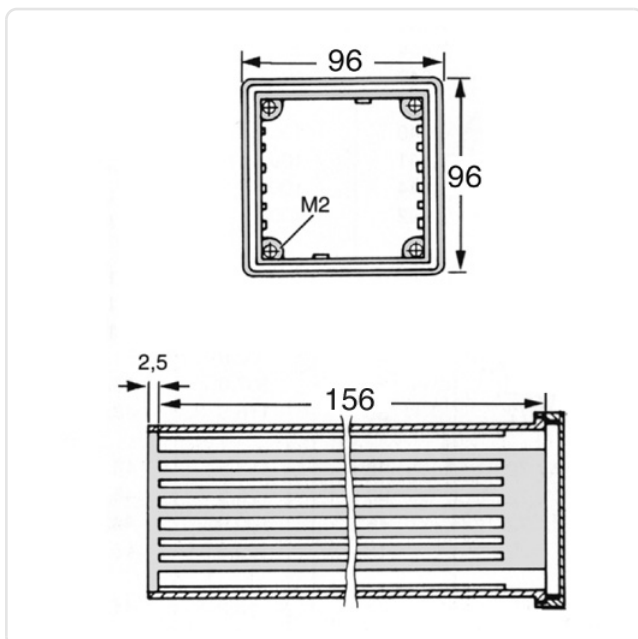
Image may be similar

Color: Black
 Height [mm]: 96
 Length [mm]: 163
 Material: Noryl GFN3
 Material Group: Plastic
 Model: Enclosure with Front Frame
 Width [mm]: 96
 Weight: 170g
 Conformities:



You can find all information on the web on our article detail page

[Panel Housing DIN IEC 61554 96x96](#)



Would you like individual advice?

We look forward to your email to products@ettinger.de.

Subject to change and errors.