

Article datasheet

Dowel Pin ISO8734 Ø6x16 Plain Steel

Article-No.: 080.01.0616



Image may be similar

DIN/ISO: ISO8734

Diameter [mm]: 6

Finish: Plain

Length [mm]: 16

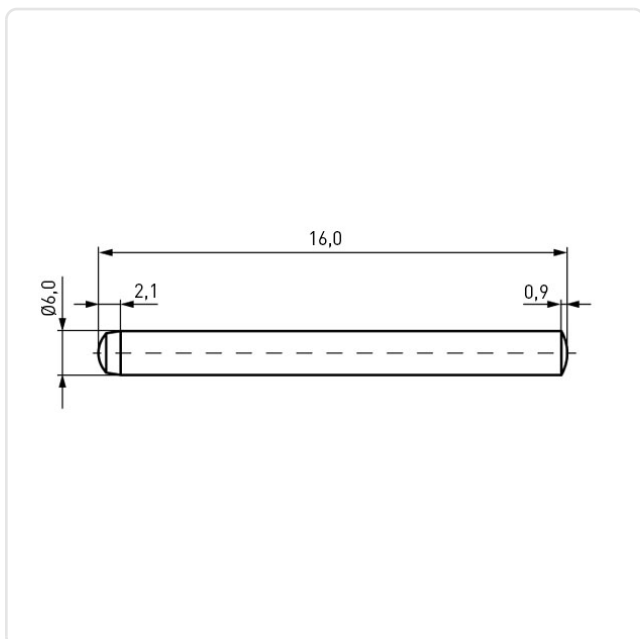
Material: Steel

Material Group: Stahl

Conformities:



You can find all information on the web on our article detail page

[Dowel Pin ISO8734 Ø6x16 Plain Steel](#)

Would you like individual advice?

We look forward to your email to products@ettinger.de.

Subject to change and errors.