

Article datasheet

Parallel Connector DIN 46341-A16 Copper tinned without insulation

Article-No.: 018.70.165

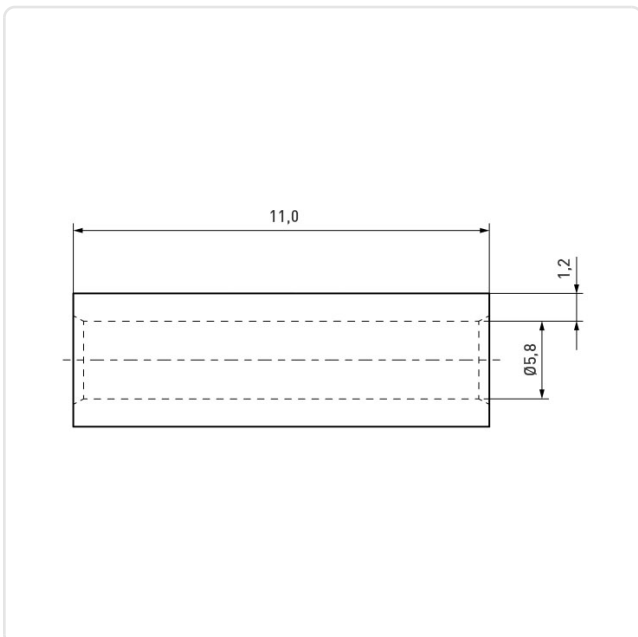


Image may be similar

DIN/ISO:	DIN46341
Finish:	Tin-Plated
Length [mm]:	11
Material:	Copper
Material Group:	Copper
Wire Cross Section [mm ²]:	16
Weight:	3.65g
Conformities:	



You can find all information on the web on our article detail page [Parallel Connector DIN 46341-A16 Copper tinned without insulation](#)



Would you like individual advice?

We look forward to your email to products@ettinger.de.

Subject to change and errors.