

Article datasheet

Solder Terminal Lug $\varnothing 2.6/4.5 \times 12.0$ mm Brass silver-plated 0.4mm thick

Article-No.: 019.05.029



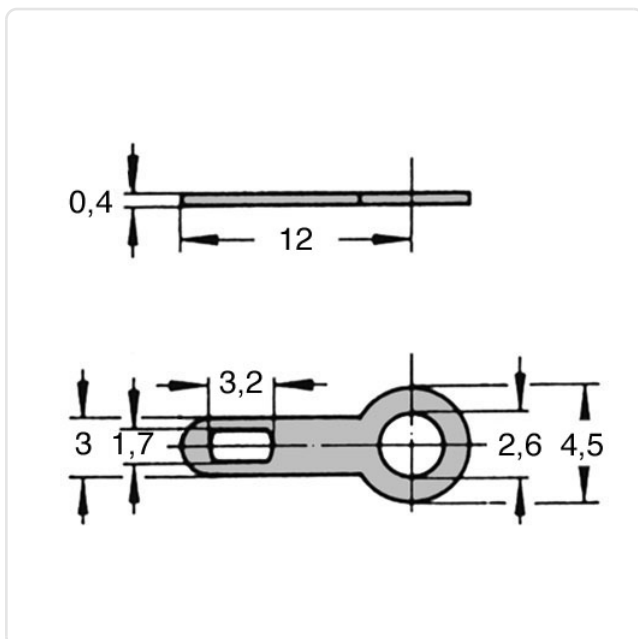
Image may be similar

Bending Angle [°]:	0
Finish:	Silver-Plated
Inner Diameter [mm]:	2.6
Length [mm]:	12
Material:	Brass CW508L / CuZn37, lead-free
Material Group:	Brass
Outer Diameter [mm]:	4.5
Weight:	0.11g
Conformities:	



You can find all information on the web on our article detail page

[Solder Terminal Lug \$\varnothing 2.6/4.5 \times 12.0\$ mm Brass silver-plated 0.4mm thick](#)



Would you like individual advice?

We look forward to your email to products@ettinger.de.

Subject to change and errors.