

Article datasheet

Mounting Set UNC 5-8 UNC/SW5x5/8 Steel zinc plated

Article-No.: 085.17.481

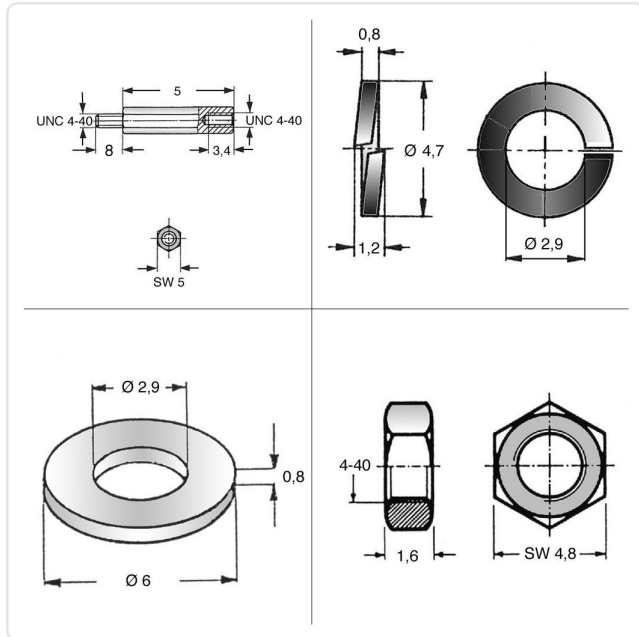


Image may be similar

Length [mm]: 8

Thread Size: UNC4-40

Weight: 4.3g

Conformities:   



You can find all information on the web on our article detail page

[Mounting Set UNC 5-8 UNC/SW5x5/8 Steel zinc plated](#)

Would you like individual advice?

We look forward to your email to products@ettinger.de.

Subject to change and errors.