

Article datasheet

## SMD Coincell Holder $\varnothing$ 12mm x1 cells Polyphthalamid/Gold plated terminals

Article-No.: 015.70.124



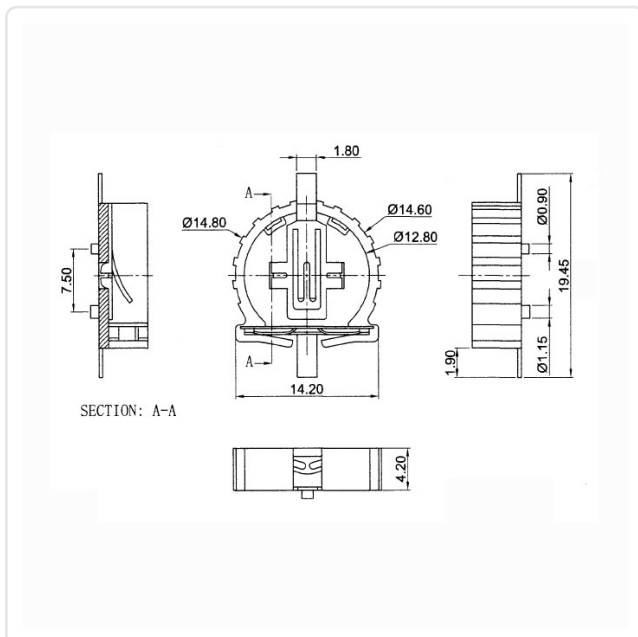
Image may be similar

Battery Type:	Cell Dia. 12mm
Cell diameter [mm]:	$\varnothing$ 12.0
Finish:	Gold-Plated
Flammability Class:	UL94-V0
Height [mm]:	4.2
Material:	PPS - Polyphenylene Sulfide
Material Group:	Plastic
Model:	SMD Connection
No. Cells:	1
Weight:	0.9g
Conformities:	<div style="display: flex; align-items: center; gap: 10px;"> <div style="border: 1px solid gray; padding: 2px; text-align: center;"> <small>SVHC</small>  <small>NOT COMPLIANT</small>  <span style="color: red; font-size: 1.2em;">✗</span> </div> <div style="border: 1px solid gray; padding: 2px; text-align: center;"> <small>Reach</small>  <small>COMPLIANT</small>  <span style="color: green; font-size: 1.2em;">✔</span> </div> <div style="border: 1px solid gray; padding: 2px; text-align: center;"> <small>RoHS</small>  <small>NOT COMPLIANT</small>  <span style="color: red; font-size: 1.2em;">✗</span> </div> </div>



You can find all information on the web on our article detail page

[SMD Coincell Holder  \$\varnothing\$ 12mm x1 cells Polyphthalamid/Gold plated terminals](#)



Would you like individual advice?

We look forward to your email to [products@ettinger.de](mailto:products@ettinger.de).

Subject to change and errors.