

Article datasheet

## Nut for T-Slot DIN508 M14x16 Plain Steel 10

Article-No.: 002.04.141



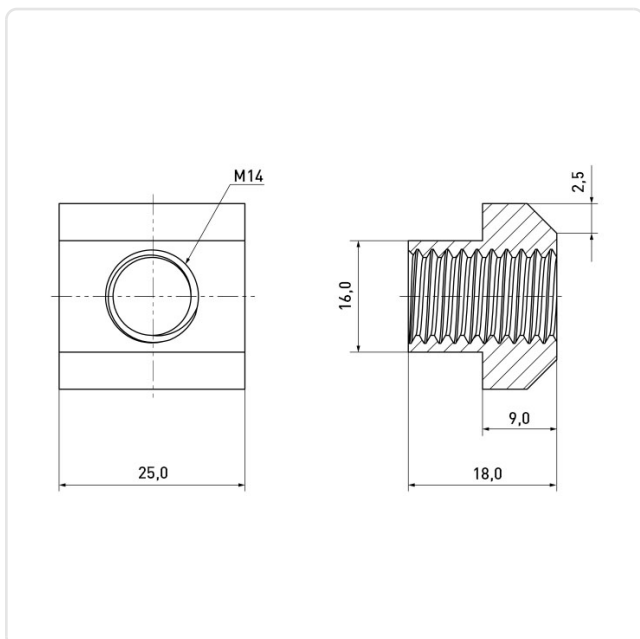
Image may be similar

|                   |  |
|-------------------|--|
| DIN/ISO:          | DIN508   |
| Finish:           | Plain  |
| Head Height [mm]: | 9  |
| Height [mm]:      | 18   |
| Length [mm]:      | 25   |
| Material:         | Steel - Grade 10   |
| Material Group:   | Steel  |
| Slot Width [mm]:  | 16   |
| Thread Size:      | M14  |
| Conformities:     | <div style="display: flex; gap: 10px;"> <div style="border: 1px solid black; padding: 2px; text-align: center;"> <span style="color: green;">Reach</span><br/>COMPLIANT<br/><span style="color: green;">✓</span> </div> <div style="border: 1px solid black; padding: 2px; text-align: center;"> <span style="color: red;">RoHS</span><br/>NOT COMPLIANT<br/><span style="color: red;">✗</span> </div> <div style="border: 1px solid black; padding: 2px; text-align: center;"> <span style="color: red;">SVHC</span><br/>NOT COMPLIANT<br/><span style="color: red;">✗</span> </div> </div> |



You can find all information on the web on our article detail page

[Nut for T-Slot DIN508 M14x16 Plain Steel 10](#)



Would you like individual advice?

We look forward to your email to [products@ettinger.de](mailto:products@ettinger.de).

Subject to change and errors.