

Article datasheet

Interlocking Hose Clamp Ø12.1-13.6 Polyamide 6.6 natural

Article-No.: 014.43.813



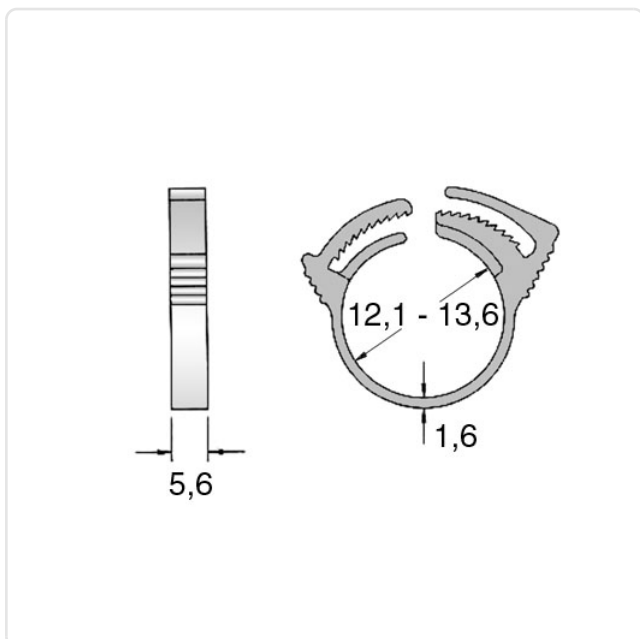
Image may be similar

Color: Natural
Flammability Class: UL94-V2
Material: PA 6.6
Panel Thickness Range [mm]: 12,1-13,6
Thickness [mm]: 1.8
Width [mm]: 5.6
Conformities:



You can find all information on the web on our article detail page

[Interlocking Hose Clamp Ø12.1-13.6 Polyamide 6.6 natural](#)



Would you like individual advice?

We look forward to your email to products@ettinger.de.

Subject to change and errors.