

Article datasheet

Pan Head Screw ISO14583 M5x10 Steel 4.8 Zinc Plated Hexalobular

Article-No.: 001.51.541

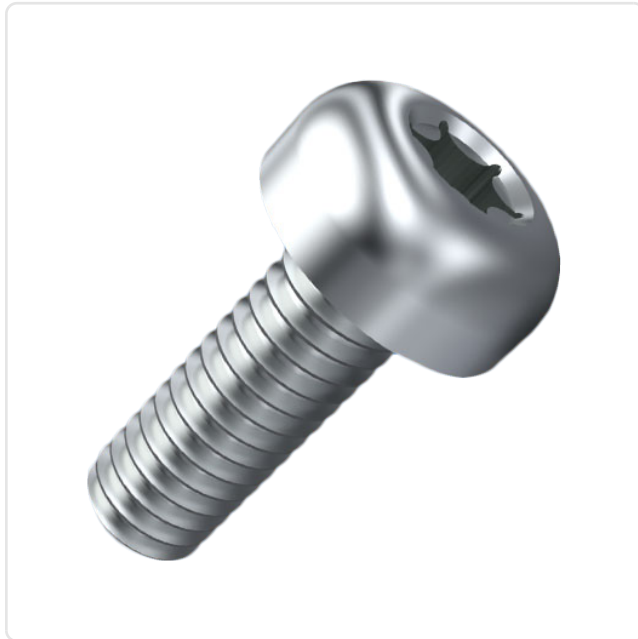
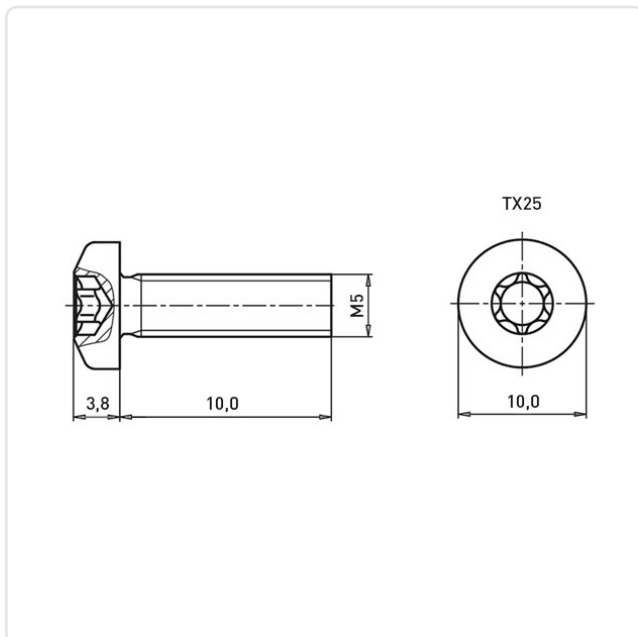


Image may be similar

| | |
|---------------------|-----------------------------|
| Actuator Size: | Torx T25 |
| DIN/ISO: | ISO7045 |
| Drive Type: | TORX |
| Finish: | Galvanized, Blue, 5 µm, A2K |
| Head Diameter [mm]: | 10 |
| Head Height [mm]: | 3.8 |
| Head Shape: | Pan Head |
| Length [mm]: | 10 |
| Material: | Steel 4.8 |
| Material Group: | Stahl |
| Thread Size: | M5 |
| Weight: | 2.82g |
| Conformities: | |



You can find all information on the web on our article detail page

[Pan Head Screw ISO14583 M5x10 Steel 4.8 Zinc Plated Hexalobular](#)

Would you like individual advice?

We look forward to your email to products@ettinger.de.

Subject to change and errors.