

Article datasheet

Canoe Clip ø3.1mm/1.6-3.2mm panel Polyamid 6.6 natural

Article-No.: 072.03.341



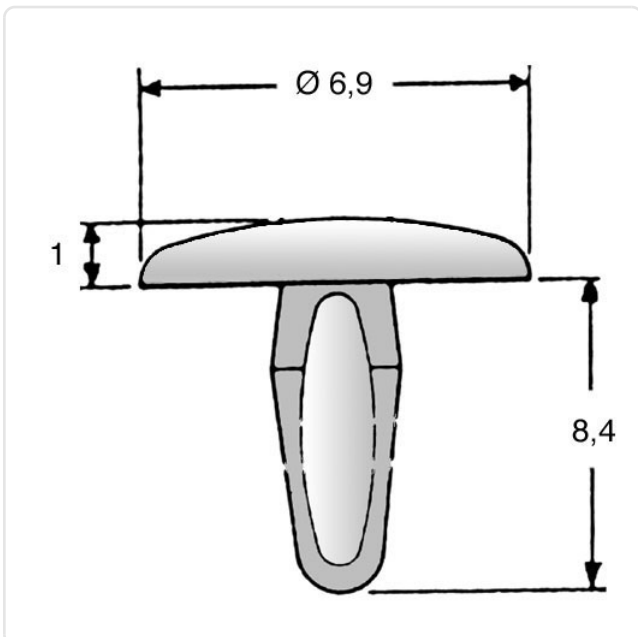
Image may be similar

Color:	Natural
Flammability Class:	UL94-V2
Head Diameter [mm]:	6.9
Material:	PA 6.6
Material Group:	Plastic
Mounting Hole [mm]:	3.1
Panel Thickness Range [mm]:	1.6 - 3.2 mm
Weight:	0.08g
Conformities:	



You can find all information on the web on our article detail page

[Canoe Clip ø3.1mm/1.6-3.2mm panel Polyamid 6.6 natural](#)



Would you like individual advice?

We look forward to your email to products@ettinger.de.

Subject to change and errors.