

Article datasheet

Batteryholder 1x "D" Mono cell Steel with solder terminals

Article-No.: 015.51.311

Manufacturer: Keystone Electronics

Manufacturer article-no.: 2175



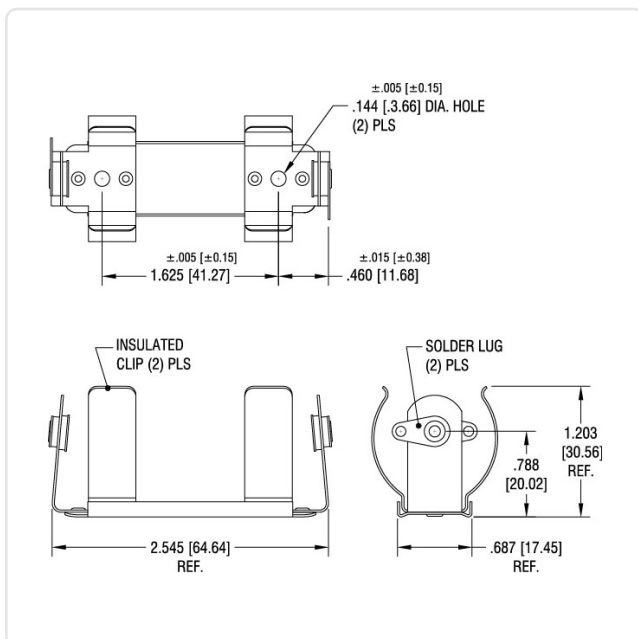
Image may be similar

Battery Type: D-Mono
 Material: Stainless Steel
 Material Group: Stainless Steel
 Model: Solder Tag Connection
 No. Cells: 1
 Weight: 16.3g
 Conformities:



You can find all information on the web on our article detail page

[Batteryholder 1x "D" Mono cell Steel with solder terminals](#)



Would you like individual advice?

We look forward to your email to products@ettinger.de.

Subject to change and errors.