

Article datasheet

Snap Lock Pin SLPA ø3mm/12.7mm Polyamid 6.6,natural UL94-V2 E70062

Article-No.: 072.11.612

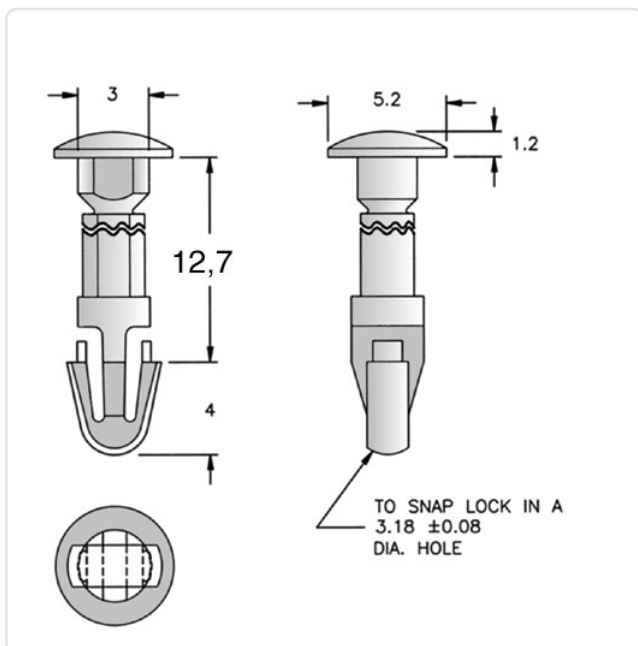


Image may be similar

Color: Natural
 Flammability Class: UL94-V2
 Head Diameter [mm]: 5.2
 Material: PA 6.6
 Material Group: Plastic
 Mounting Hole [mm]: 3
 Weight: 0.17g
 Conformities:



You can find all information on the web on our article detail page
[Snap Lock Pin SLPA ø3mm/12.7mm Polyamid 6.6,natural UL94-V2 E70062](#)



Would you like individual advice?

We look forward to your email to products@ettinger.de.

Subject to change and errors.