

Article datasheet

Lock Washer Ø8.4/13.0 x 0.8 Nickel-Plated Spring Ste

Article-No.: 003.04.083

Manufacturer: SCHNORR

Manufacturer article-no.: 421300

SCHNORR
DISC SPRING ENGINEERING



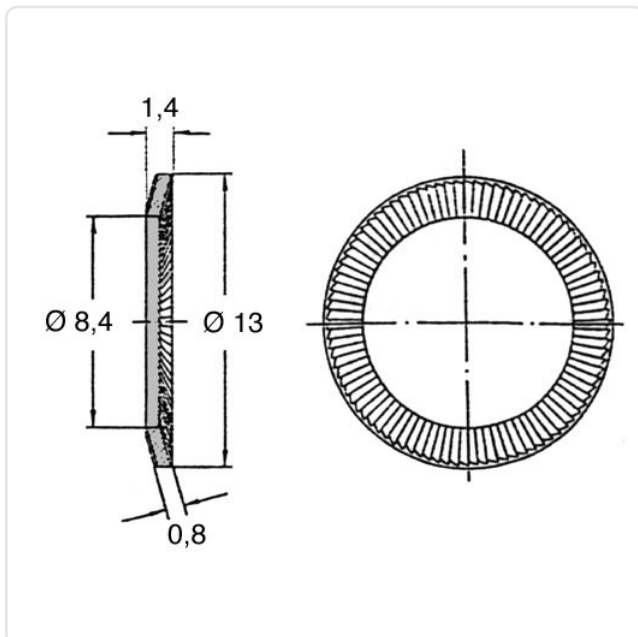
Image may be similar

Finish: Nickel-Plated, 3 µm, E1E
 For Thread Size: M8
 Height [mm]: 0.8
 Inner Diameter [mm]: 8.4
 Material: Spring Steel
 Material Group: Steel
 Outer Diameter [mm]: 13
 Weight: 0.39g
 Conformities:



You can find all information on the web on our article detail page

[Lock Washer Ø8.4/13.0 x 0.8 Nickel-Plated Spring Ste](#)



Would you like individual advice?

We look forward to your email to products@ettinger.de.

Subject to change and errors.