

Article datasheet

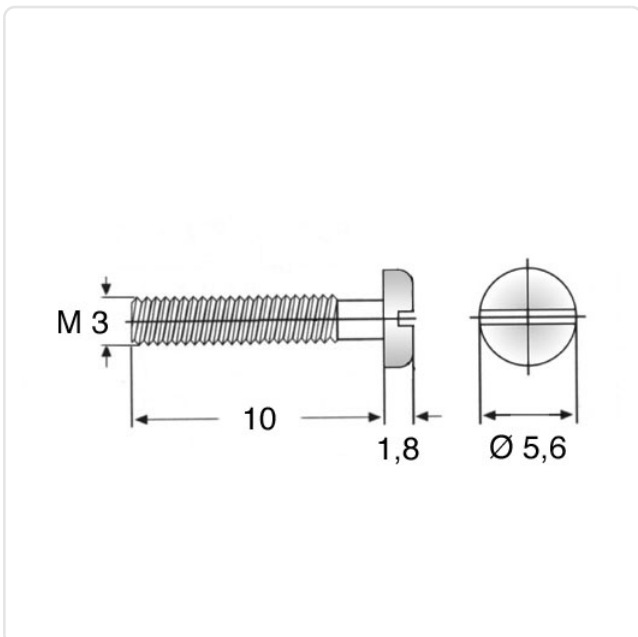
Pan Head Screw ISO1580 M3x10 Polyamide 6.0 GF Natural Slotted

Article-No.: 001.45.347



Image may be similar

Color:	Natural
DIN/ISO:	ISO1580
Drive Type:	Slotted
Flammability Class:	UL94-HB
Head Diameter [mm]:	6
Head Height [mm]:	1.8
Head Shape:	Pan Head
Length [mm]:	10
Material:	PA 6.0 25% GF
Material Group:	Plastic
Thread Size:	M3
Weight:	0.12g
Conformities:	



You can find all information on the web on our article detail page
[Pan Head Screw ISO1580 M3x10 Polyamide 6.0 GF Natural Slotted](#)

Would you like individual advice?

We look forward to your email to products@ettinger.de.

Subject to change and errors.