

Article datasheet

Handle 100/33/19mm for M5 Polyamid 6 black

Article-No.: 029.55.100

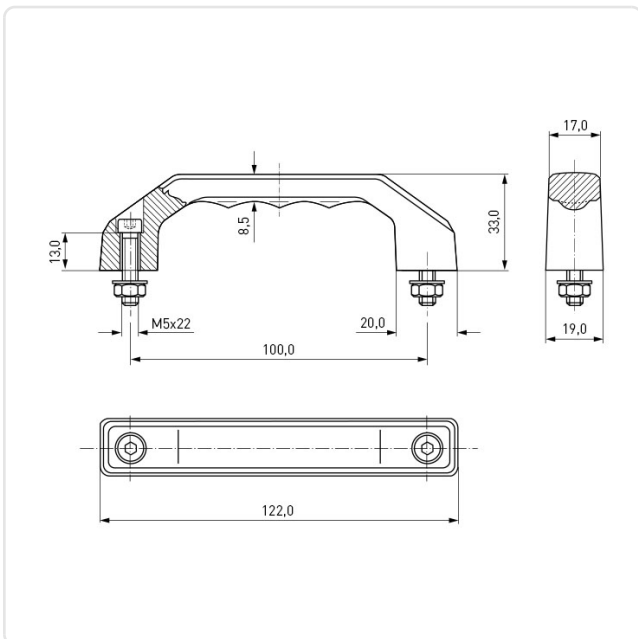


Image may be similar

Color:	Black
Dist. Mounting Holes [mm]:	100
Height [mm]:	33
Material:	PA 6.0
Material Group:	Plastic
Model:	Collapsible Handle
Width [mm]:	19
Weight:	55g
Conformities:	



You can find all information on the web on our article detail page



Would you like individual advice?

We look forward to your email to products@ettinger.de.

Subject to change and errors.