

Article datasheet

Square Nut 11.5/6.0/2.0 M2.5 Galvanized Steel

Article-No.: 002.16.251

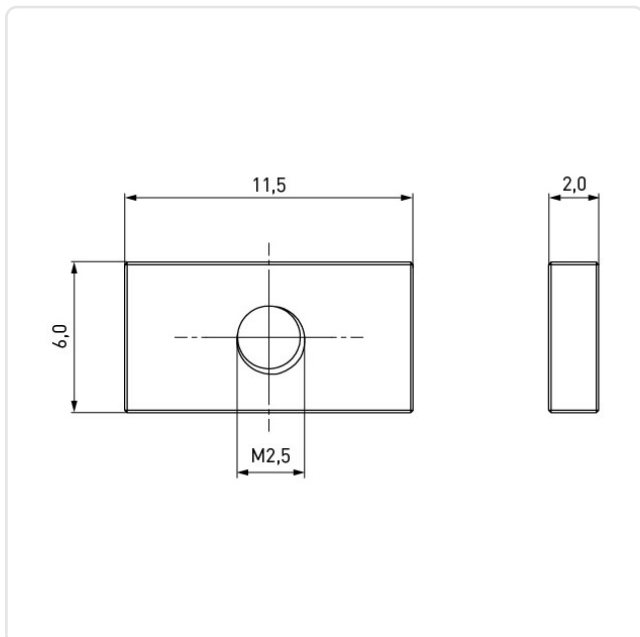


Image may be similar

AF / OD [mm]: 6
Finish: Galvanized, Blue, 5 µm, A2K
Height [mm]: 2
Material: Steel
Material Group: Stahl
Thread Size: M2.5
Weight: 0.97g
Conformities:



You can find all
information on the web on
our article detail page



Would you like individual advice?

We look forward to your email to products@ettinger.de.

Subject to change and errors.