

Article datasheet

Screw Cover for M3 \varnothing 8.5/10.5x4.3mm Polyamid 6 black

Article-No.: 003.14.030

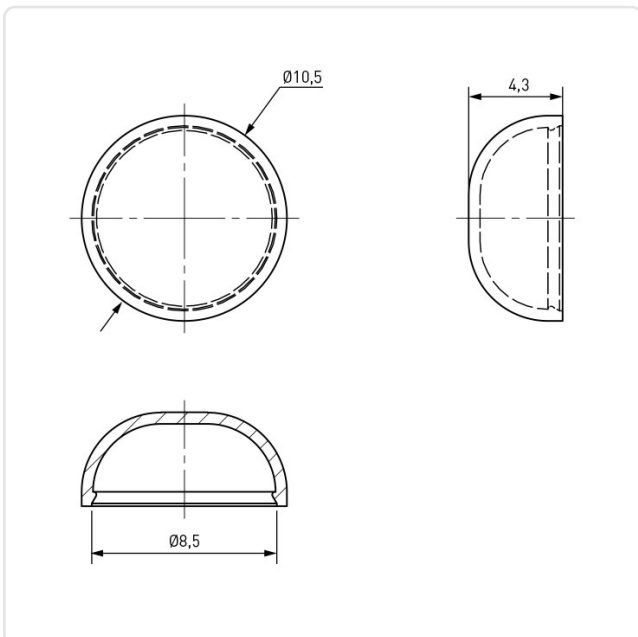


Image may be similar

Color: Black
Head Height [mm]: 4.3
Inner Diameter [mm]: 8.5
Material: PA 6.0
Material Group: Plastic
Model: Cover Cap for Holding Ring
Outer Diameter [mm]: 10.5
Weight: 0.12g
Conformities:



You can find all information on the web on our article detail page



Would you like individual advice?

We look forward to your email to products@ettinger.de.

Subject to change and errors.