

Article datasheet

Solderless Terminal M4-1.0mm² AWG18 Polyamid red UL-E329382 outer ø8mm

Article-No.: 018.31.542

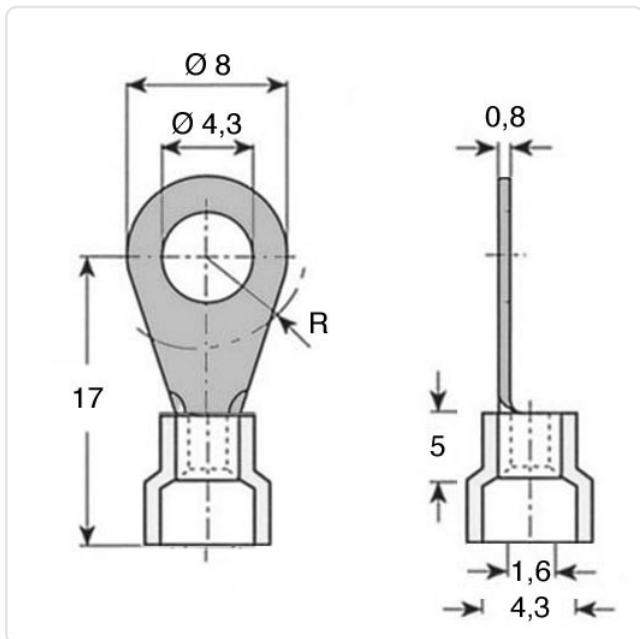


Image may be similar

| | |
|--|---------------------|
| Color: | Red |
| DIN/ISO: | DIN46237-A |
| For Thread Size: | M4 |
| Insulation: | Polyamide |
| Material: | Electrolytic Copper |
| Material Group: | Electrolytic Copper |
| Outer Diameter [mm]: | 8 |
| Wire Cross Section [mm ²]: | 0.5-1.0 |
| Weight: | 0.79g |
| Conformities: | |



You can find all information on the web on our article detail page



Would you like individual advice?

We look forward to your email to products@ettinger.de.

Subject to change and errors.