

Article datasheet

Conical Spring Washer DIN6796/ISO10670 Ø8.4/18.0 x 2.0 Phosphated Spring Steel

Article-No.: 003.24.881

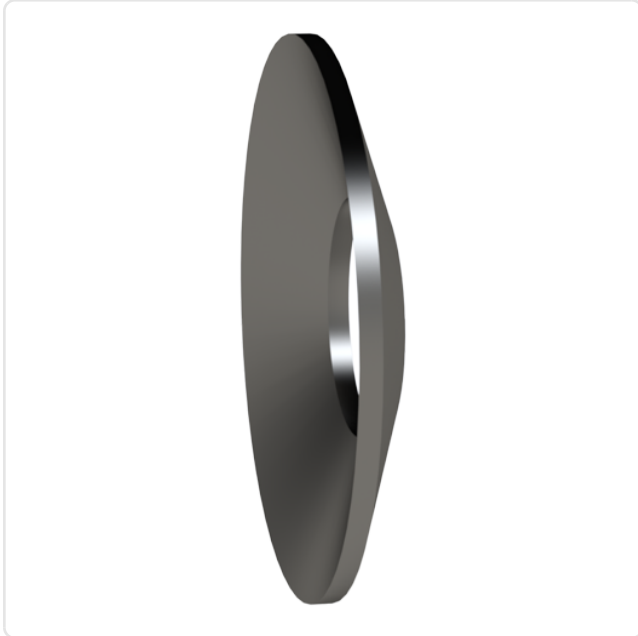
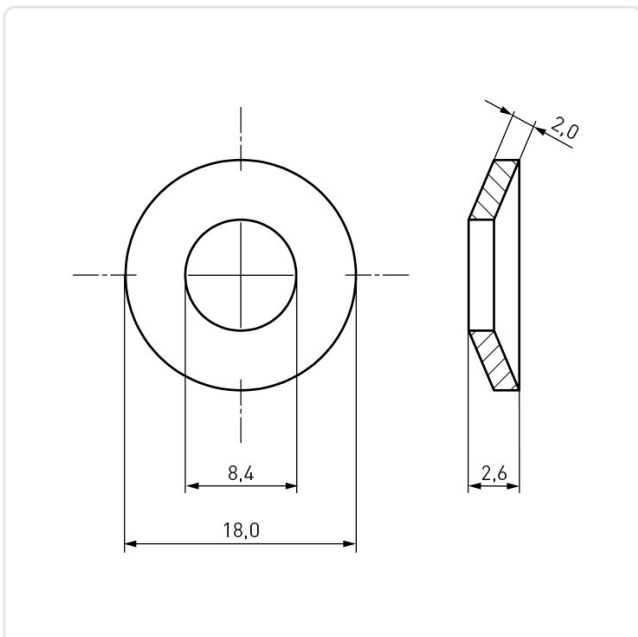


Image may be similar

DIN/ISO: DIN6796 / ISO10670
Finish: Phosphated
For Thread Size: M8
Height [mm]: 2
Inner Diameter [mm]: 8.4
Material: Spring Steel
Material Group: Steel
Outer Diameter [mm]: 18
Weight: 2.89g
Conformities:



You can find all
information on the web on
our article detail page



Would you like individual advice?

We look forward to your email to products@ettinger.de.

Subject to change and errors.