

Article datasheet

Insulated Standoff Polyester-Steel F/F AF30x30 | Thread M8x8 / M8x8

Article-No.: 032.83.886

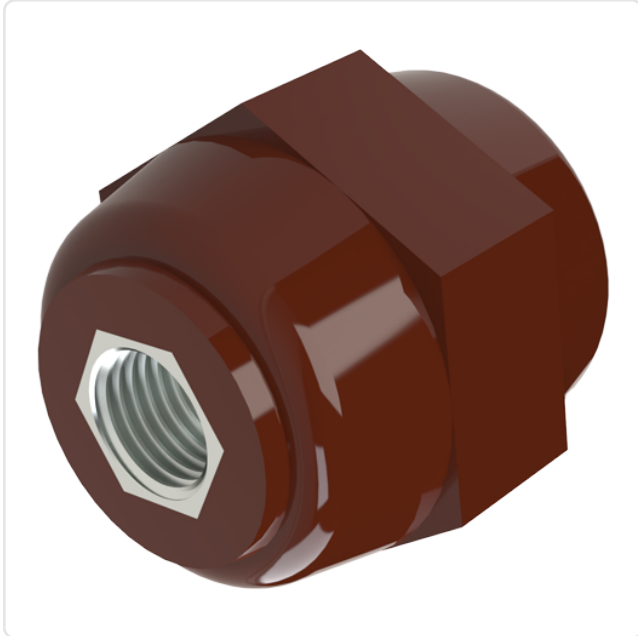
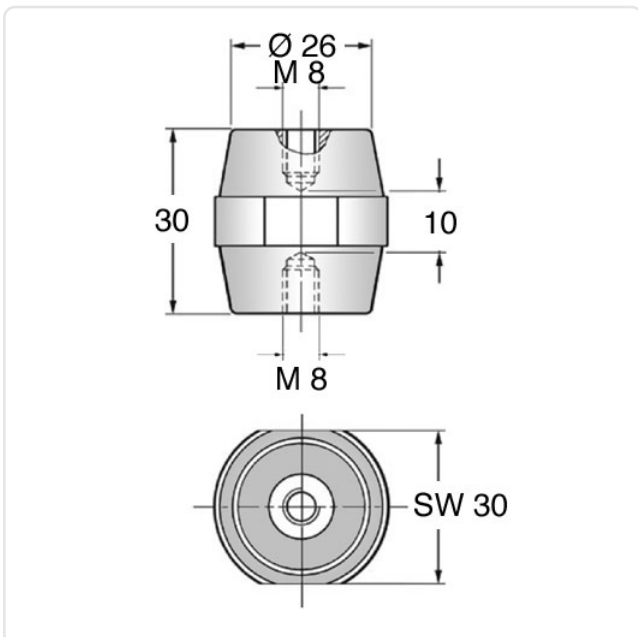


Image may be similar

AF / OD [mm]:	30
Flammability Class:	UL94-V0
Length [mm]:	30
Material:	PES - Polyester
Material Group:	Plastic
Profile:	Hexagonal
Thread 1 Length [mm]:	8
Thread 1 Size:	M8
Thread 2 Length [mm]:	8
Thread 2 Size:	M8
Thread Insert Material:	Steel
Weight:	54.4g
Conformities:	



You can find all information on the web on our article detail page

Would you like individual advice?

We look forward to your email to products@ettinger.de.

Subject to change and errors.