

Article datasheet

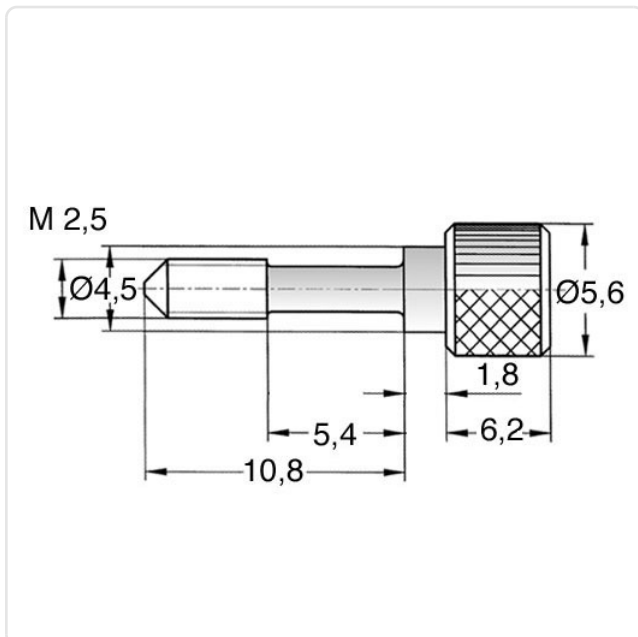
Knurled Thumb Screw M2.5x10.8 A1 Stainless Steel Vertical Knurl

Article-No.: 001.89.249



Image may be similar

Drive Type:	Slotted
Finish:	Plain
Head Diameter [mm]:	5.6
Head Height [mm]:	6.2
Head Shape:	Cheese Head
Knurling:	Vertical Knurl
Length [mm]:	10.8
Material:	Stainless Steel AISI 303 / A1
Material Group:	Stahl rostfrei
Reduced Shank Length [mm]:	5.4
Thread Size:	M2.5
Weight:	1.58g
Conformities:	



You can find all information on the web on our article detail page

Would you like individual advice?
We look forward to your email to products@ettinger.de.

Subject to change and errors.