

Article datasheet

Cap for screws $\varnothing 12/2.5\text{mm}$ Polyethylen,black

Article-No.: 014.13.110

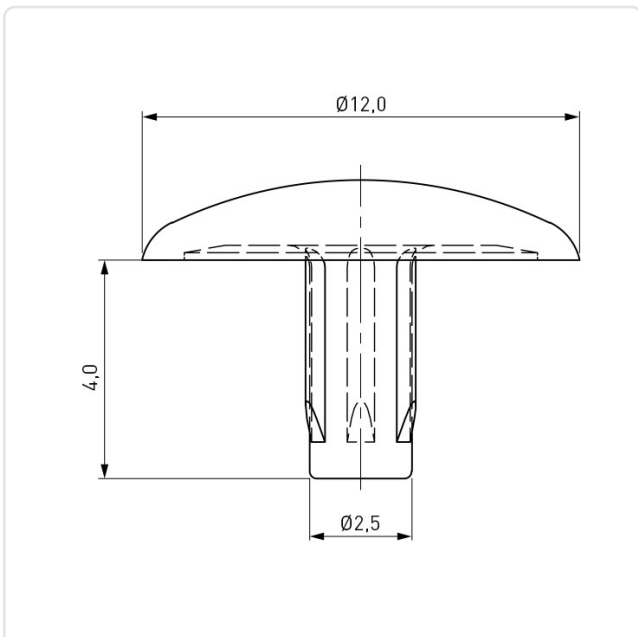


Image may be similar

Color: Black
Material: PE - Polyethylene
Material Group: Plastic
Model: For Screw Head
Outer Diameter [mm]: 12
Weight: 0.14g
Conformities:



You can find all
information on the web on
our article detail page



Would you like individual advice?

We look forward to your email to products@ettinger.de.

Subject to change and errors.