

Article datasheet

Vertical Card Guide for 1/16" PCB Polyamid 6.6 black

Article-No.: 075.13.160

Manufacturer: BIVAR

Manufacturer article-no.: VG2-6

BIVAR

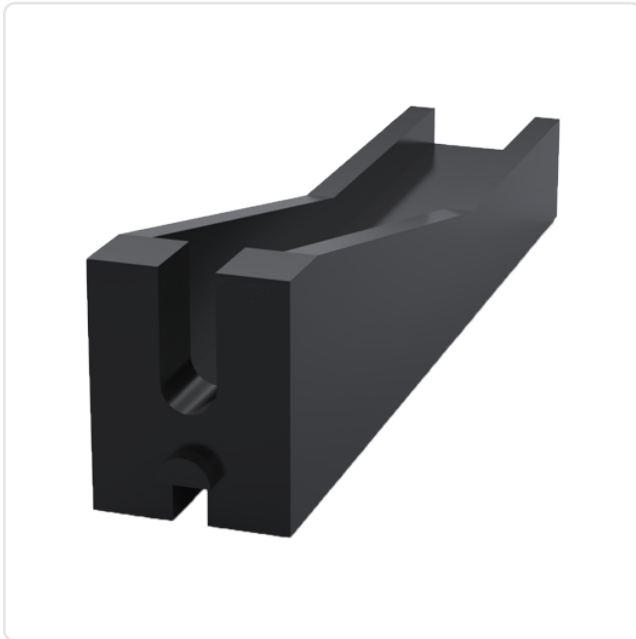
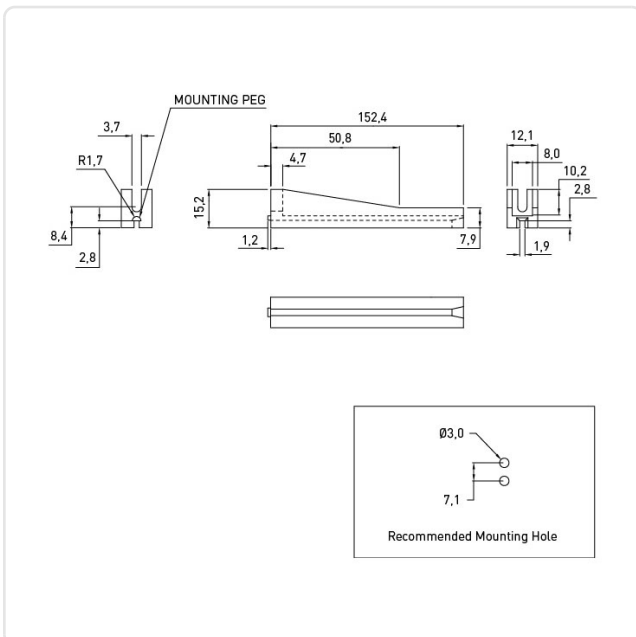


Image may be similar

Color: Black
 Dist. Mounting Holes [mm]: 5.6
 Flammability Class: UL94-V0
 Length [mm]: 152.4
 Material: PA 6.6
 Material Group: Plastic
 Model: Screw Fastening
 Width [mm]: 12.1
 Weight: 15.7g
 Conformities:



You can find all information on the web on our article detail page



Would you like individual advice?

We look forward to your email to products@ettinger.de.

Subject to change and errors.