

Article datasheet

Marker Flag Tie 2,5x99mm Polyamide natural

Article-No.: 072.57.311

Manufacturer: Panduit

Manufacturer article-no.: PLM1M-M

PANDUIT™

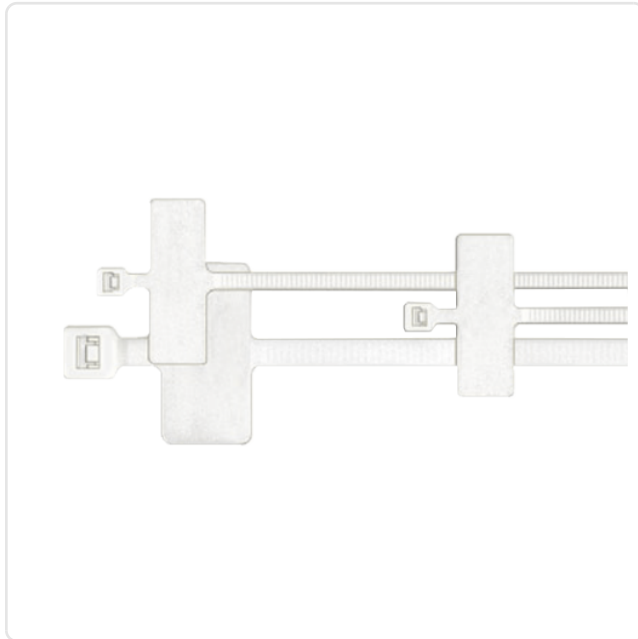


Image may be similar

Bundle Diameter [mm]: 21,0-50,0

Color: Natural

Flammability Class: UL94-V2

Length [mm]: 99

Material: PA 6.6

Material Group: Plastic

Model: Labeling Field

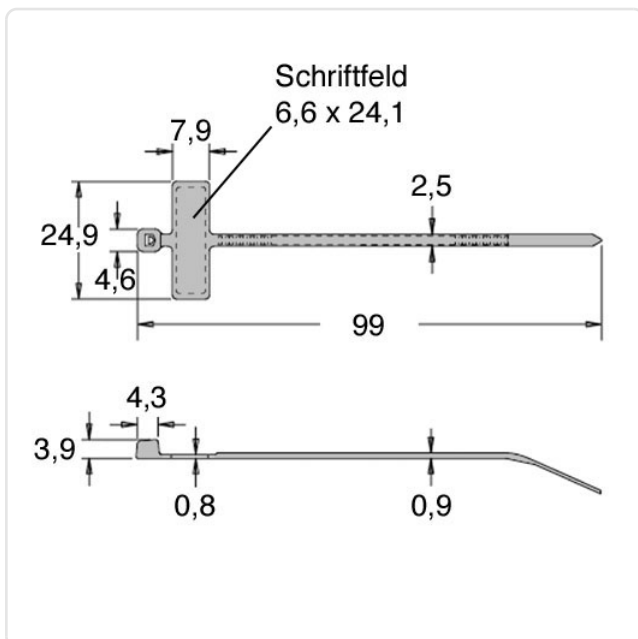
Width [mm]: 2.5

Weight: 0.5g

Conformities:



You can find all information on the web on our article detail page



Would you like individual advice?

We look forward to your email to products@ettinger.de.

Subject to change and errors.